

REPLACEMENT PARTS

FOR

**TRIUMPH**

MOTOR CYCLES

1950

THUNDERBIRD

3T DE LUXE

SPEED TWIN

TIGER 100

(See Separate List for Trophy Model)

TRIUMPH ENGINEERING COMPANY LTD.  
MERIDEN WORKS, ALLESLEY  
COVENTRY.

Telegrams (for Spares)  
"Trusty, Coventry"

Telephone  
Meriden 331

## PREFACE

**B**EFORE ordering parts for your machine, please read very carefully the instructions contained in the next paragraph. In a large number of cases, the information given in orders is not sufficient to enable us to identify customers' requirements with certainty. Delay is frequently occasioned by our having to refer the order back for further particulars before we can supply.

**HOW TO ORDER.** Every part is indicated by number, and this should be quoted together with the description. In order to assist customers, dimensions have been given in many cases where parts are similar. Parts where possible have been listed in order of assembly and a number of the illustrations show the assembly order also. With these aids, there should be no difficulty in identifying the parts you require. Always head your order with the engine number, stamped on the drive side of the crank case underneath the cylinder flange, together with the prefix letters. Use a separate sheet for your order if you are sending a letter as well.

### SPECIMEN ORDER

12/2/50

To Triumph Engineering Co. Ltd.,  
Meriden Works,  
Allesley,  
Coventry.

Engine No. 6T-2000N

Please supply:—

1 - CP.29/10 - Piston Assy. + .010"  
1 - E2899 - Guide, inlet valve

\* Send C.O.D.

Wm. Smith,  
1a, Ewell Avenue  
Ewell, Surrey.

\*For terms of business see page 3.

**TELEGRAPHIC ORDERS.** Orders by telegram should be addressed to "Trusty 60221 Coventry". They are then telephoned to us, which prevents delay in delivery. It is only necessary to quote part numbers in telegraphic orders, the description can be omitted.

**PATTERNS AND PARTS FOR REPAIR.** It is not necessary to send patterns if the part number is quoted. The sending of patterns often delays the order as parcel post or rail takes longer than letter post.

Parts sent to Coventry for repair, replacement or as patterns should bear the sender's name and address and clear instructions should accompany the parts. All parts must be forwarded carriage paid and care should be taken to ensure that all remittances are sent separately and not enclosed with the parts. Fragile units such as cylinders, etc., should always be boxed to avoid damage in transit. Complete machines should have all fittings such as horns, driving mirrors, tools, etc., removed by the sender before despatch, as it is impossible for us to accept responsibility in the event of loss in transit. We are always pleased to give estimates for overhauling and repairs, but should an estimate not be accepted, a charge will be made covering cost of dismantling and re-assembling, if carried out.

All communications relating to spare parts, repairs, replacements and general service should be addressed to the Triumph Engineering Co. Ltd., Meriden Works, Allesley, Coventry, and in order to facilitate quick reference, the quoting of any order number, invoice number or reference from previous communications is of essential importance. **Accessories not of our manufacture should be sent direct to the actual makers, whose names and addresses appear on Page 100.**

**WHERE TO OBTAIN.** Triumph Spare Parts may be obtained from any Triumph Dealer, and we recommend our customers to place their orders with the Triumph Dealer in their district. When parts not usually asked for are required, and for which the Dealer may have to wire or obtain specially, the postage or carriage incurred becomes payable.

We are not able to supply Transfers as originally affixed to Triumph Motor Cycles, but we are at all times willing to supply a transfer denoting that the machine is of genuine Triumph manufacture, provided the Frame and Engine prefix letters and numbers are quoted.

Customers are warned against the risk incurred by purchasing parts that are not of genuine Triumph manufacture. This risk is eliminated if parts are ordered as instructed, either from our recognised Dealers, or direct from the Service Department, Meriden Works, Allesley, Coventry.

---

## TERMS OF BUSINESS

**T**HE most convenient method of paying for Spare Parts is by the C.O.D. system. By this method you pay the postman for the goods when he delivers them to you. As the minimum C.O.D. collection fee is 10d., only goods to the value of 2/- and over can be sent by this system. We do not despatch goods by rail C.O.D.

Where goods are not sent C.O.D., cash must accompany the order. All remittances should be made payable to the Triumph Engineering Co. Ltd., and crossed "Barclay's Bank Ltd." if in the form of Postal Order or cheque. Letters containing currency notes must be registered.

Should a remittance be forwarded by telegraphic money order, the name and address of the sender must be inserted in the space provided on the Post Office requisition form for a private message from remitter to payee. Unless this is complied with the Post Office omit such information from the telegram and we are not then in a position to trace the sender.

Postage, carriage and packing is charged at 5% on the value of the goods, minimum charge 6d. Packing boxes, cases, crates, etc., are charged for at cost and are returnable.

# INDEX

	Page No.
AIR FILTER GROUP ... ..	78
BATTERY CARRIER GROUP ... ..	48
CARBURETTER GROUP ... ..	80
CARTON PACK LIST ... ..	11
CHAIN GROUP ... ..	66
CHAINGUARD GROUP ... ..	66
CLOSE RATIO GEAR GROUP ... ..	42
CONTROL CABLE GROUP ... ..	72
Air Cable ... ..	73
Clutch cable ... ..	72
Front brake cable ... ..	72
Throttle cable ... ..	72
ENGINE GROUP ... ..	18
Connecting rods ... ..	28
Crankcase ... ..	28
Crankcase bearings ... ..	29
Crankcase breather ... ..	32
Crankcase studs and bolts ... ..	29
Crankshaft and flywheel assembly ... ..	28
Cylinder block ... ..	18
Cylinder head ... ..	18
Engine sprocket and shock absorber ... ..	33
Oil pump ... ..	30
Overhead rocker gear ... ..	33
Pistons ... ..	19
Push rods ... ..	32
Push rod cover tube ... ..	32
Release valve ... ..	31
Rocker oil feed and drain pipes ... ..	33
Tappet and tappet block ... ..	32
Timing cover ... ..	31
Timing gear ... ..	32
Valves and valve springs ... ..	19
ENGINE PLATE GROUP ... ..	48
EXHAUST SYSTEM GROUP ... ..	34
FOOTREST GROUP ... ..	73
FRAME GROUP ... ..	43
FRONT FORK GROUP ... ..	50
Steering cups, cones and balls ... ..	51
Steering damper ... ..	51
FRONT WHEEL GROUP ... ..	54
Front wheel brake ... ..	56
GASKET SETS ... ..	93

	Page No.
GEARBOX GROUP ... ..	35
Clutch ... ..	40
Clutch control ... ..	42
Gear control (enclosed mechanism) ... ..	39
Gear control (selector mechanism) ... ..	39
Gearbox casing ... ..	35
Gearbox fittings ... ..	35
Gearbox shell bearings ... ..	39
Gearbox sprocket ... ..	40
Kickstarter ... ..	40
Shafts and gears ... ..	35
Wide ratio gears ... ..	42
Close ratio gears ... ..	42
GEAR RATIOS ... ..	93
HANDLEBAR GROUP ... ..	70
Air control ... ..	72
Clutch control ... ..	70
Front brake control ... ..	70
Handlebar ... ..	70
Throttle control ... ..	70
LUCAS ELECTRICAL EQUIPMENT GROUP ... ..	89
MAGNETO B.T.H. GROUP ... ..	82
MUDGUARD GROUP ... ..	61
Front mudguard ... ..	61
Rear mudguard (3T) ... ..	62
Rear mudguard (5T, T100 and 6T) ... ..	62
NUMBER PLATE GROUP ... ..	64
PILLION SEAT GROUP ... ..	77
PRIMARY CHAINCASE GROUP ... ..	64
PROP STAND GROUP ... ..	75
REAR BRAKE CONTROL GROUP ... ..	73
REAR CARRIER GROUP ... ..	75
REAR SPRING WHEEL GROUP, MARK I ... ..	58
REAR SPRING WHEEL GROUP, MARK II ... ..	96
REAR WHEEL GROUP ... ..	56
Rear wheel brake ... ..	58
SADDLE GROUP... ..	74
SIDECAR ATTACHMENTS GROUP ... ..	75
SPARKING PLUG GROUP ... ..	79
SPECIFICATIONS 3T, 5T, T100, 6T ... ..	7-10
SPEEDOMETER GROUP ... ..	79
STAND GROUP ... ..	53
TANK GROUP ... ..	67
Parcel Grid ... ..	69
Petrol tank ... ..	67
Oil tank ... ..	69
TOOLBOX GROUP ... ..	77
TOOLKIT GROUP ... ..	77
TORQUE BRACKET GROUP ... ..	43
TWINSEAT GROUP ... ..	99
WIDE RATIO GEAR GROUP ... ..	42

## ILLUSTRATION INDEX

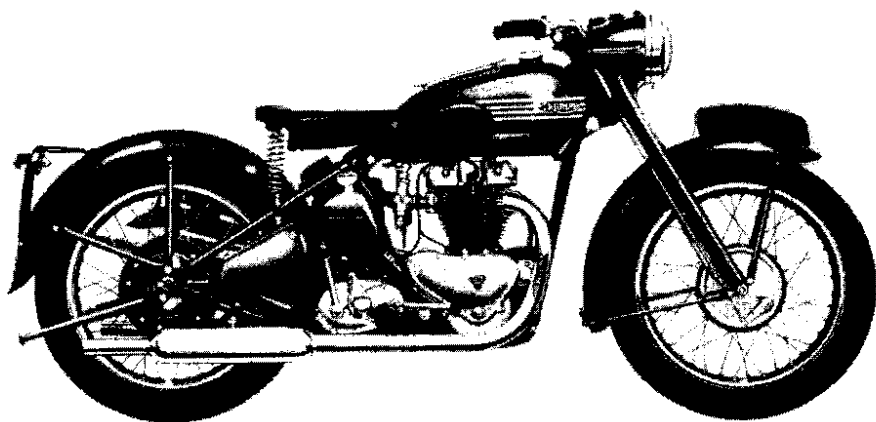
	<i>Page</i>
Air Filter ... ..	78
Automatic advance control ... ..	84
B.T.H. magneto armature and condenser ... ..	85
B.T.H. magneto contact breaker and housing ... ..	87
B.T.H. magneto housing and auto advance ... ..	85
Carburetter parts ... ..	81
Crankcase and frame studs, bolts and washers ... ..	49
Engine 3T :	
Crankcase, cylinder block and cylinder heads, etc. ... ..	26
Engine 3T	
Crankshaft, connecting rods, pistons, timing gear, etc. ... ..	30
Engine 5T, T100 and 6T	
Crankcase, cylinder block and cylinder heads, etc. ... ..	20
Engine 5T, T100 and 6T	
Crankshaft, connecting rods, pistons, timing gear, etc. ... ..	24
Frame and components, 3T ... ..	46
Frame and Components, 5T, T100 and 6T ... ..	44
Front wheel and mudguard arrangement ... ..	55
Gearbox ... ..	36-37
Clutch ... ..	41
Handlebars and controls ... ..	71
Headlamp ... ..	91
Petrol and oil tanks with fittings ... ..	68
Primary chaincase and rear chainguards ... ..	65
Rear mudguard ... ..	63
1950 Range, with Specifications ... ..	7-10
Rigid rear wheel axle assembly ... ..	57
Spring wheel Mark I ... ..	60
Spring wheel Mark II ... ..	97
Telescopic front fork ... ..	52
Toolkit ... ..	76

To assist the owner and dealer in identifying requirements, this book contains numerous exploded views of major assemblies. Each component part is numbered and by cross reference to the illustration index, the part number of the component will be found. Against each part number a page and reference number is shown and by referring to the appropriate page, the full description of the part will be found against the reference number.

### Example.

To find the part number of a scraper ring for the model 5T.

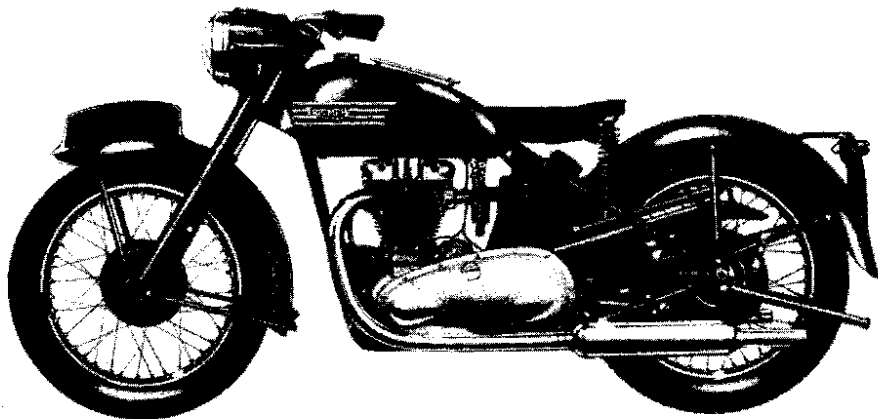
1. Refer to illustration index page where it will be found that the exploded view of the 5T engine is on page 24.
2. Note that the number of the scraper ring on the illustration is 2.
3. Refer to the index for the illustration in question on page 25.
4. Note that No. 2 is part number GE.29, listed on page 23. Reference line No. 21.

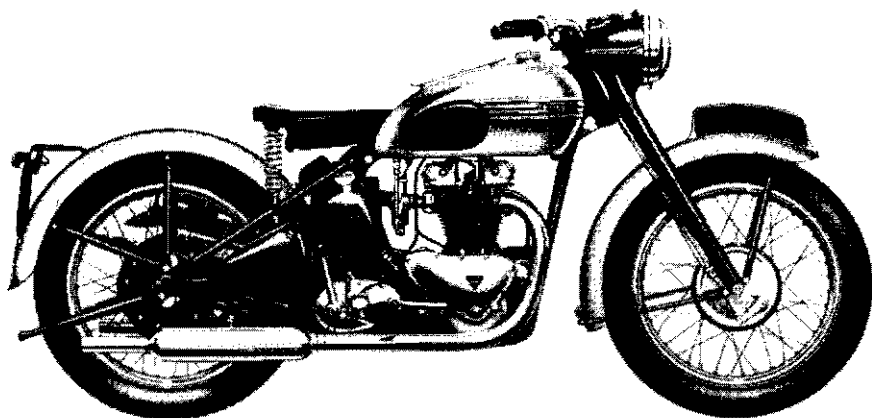


## SPECIFICATION

Bore and stroke mm	... 71 x 82	Tappet clearance, cold	... .001"
Cylinder capacity	... 649	Ignition, fully advanced	... 3"
Compression ratio	... 7.1	Piston ring gap	... .010"-.014"
Engine sprocket, solo	... 24	Inlet valve opens, B.T.D.C.	... 26½°
Engine sprocket, sidecar	... 21	Exhaust valve closes, A.T.D.C.	... 35°
Carburettor main jet	... 170*	Petrol tank, gallons	... 4
Carburettor slide	... 6:3½	Oil tank, pints	... 6
Carburettor needle jet	... 107	Weight, lbs. (dry)	... 370

\* 190 Without air cleaner

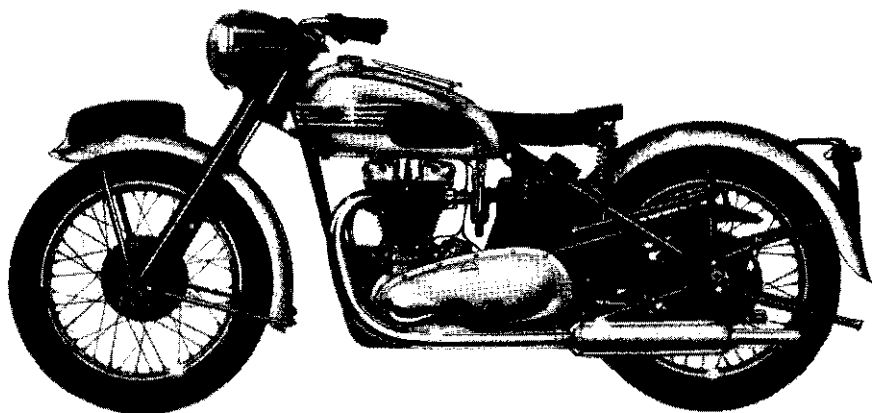




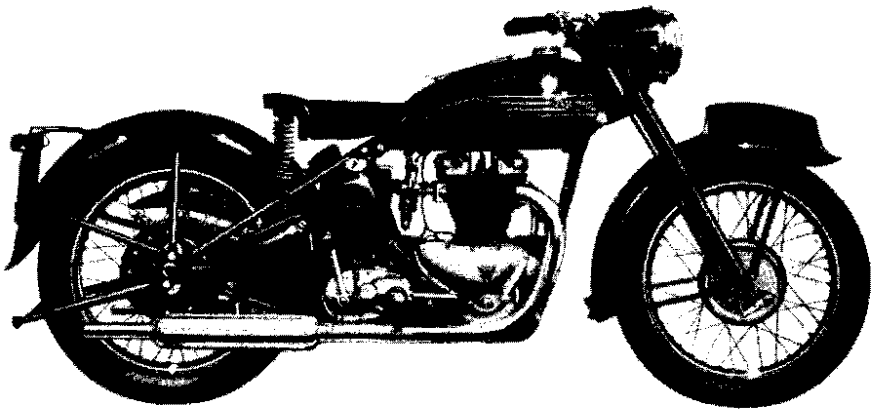
## SPECIFICATION

Bore and stroke mm ... ..	63 × 80	Tappet clearance, cold ... ..	.001"
Cylinder capacity ... ..	498	Ignition, fully advanced ... ..	$\frac{1}{8}$ "
Compression ratio ... ..	7.8 : 1	Piston ring gap ... ..	.010"-.014"
Engine sprocket solo ... ..	22	Inlet valve opens, B.T.D.C. ... ..	26 $\frac{1}{2}$ °
Engine sprocket, sidecar ... ..	19	Exhaust valve closes, A.T.D.C. ... ..	35°
Carburettor main jet ... ..	150*	Petrol tank, gallons ... ..	4
Carburettor slide ... ..	6.3 $\frac{1}{2}$	Oil tank, pints ... ..	6
Carburettor needle jet ... ..	107	Weight lbs. (dry) ... ..	365

\* 160 Without air cleaner

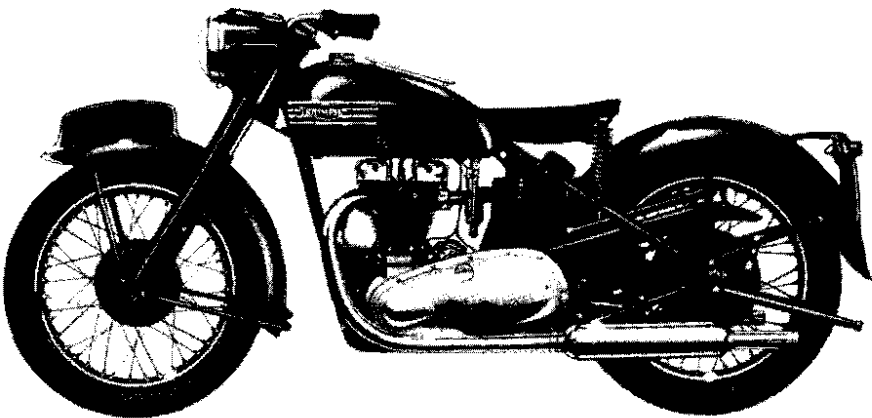


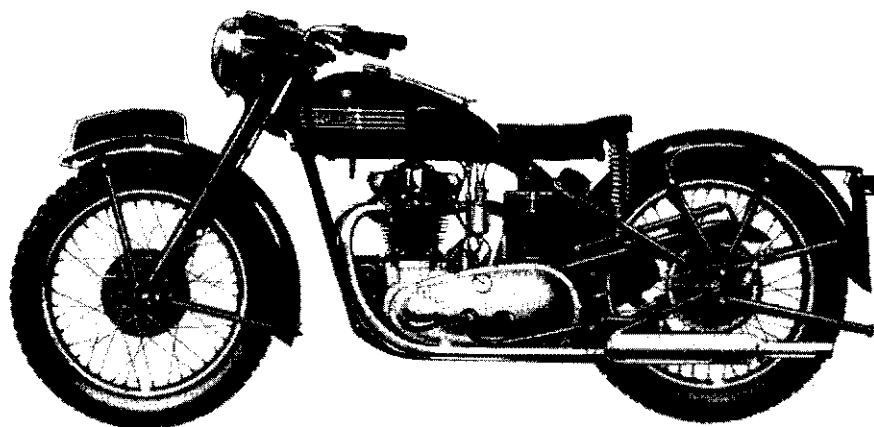




## SPECIFICATION

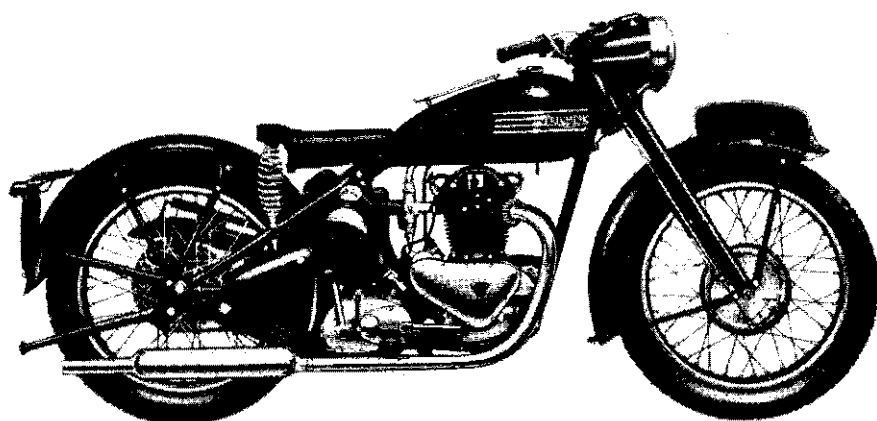
Bore and stroke mm	... 63 x 80	Tappet clearance, cold	... .001"
Cylinder capacity	... 498	Ignition, fully advanced	... $\frac{3}{8}$ "
Compression ratio	... 7.1	Piston ring gap	... .010"-.014"
Engine sprocket solo	... 22	Inlet valve opens, B.T.D.C.	... 26 $\frac{1}{2}$ "
Engine sprocket, sidecar	... 19	Exhaust valve closes, A.T.D.C.	... 35"
Carburettor main jet	... 140	Petrol tank, gallons	... 4
Carburettor slide	... 6:3 $\frac{1}{2}$	Oil tank, pints	... 6
Carburettor needle jet	... 107	Weight lbs. (dry)	... 365





## SPECIFICATION

Bore and stroke mm	...	55 × 73.4	*Ignition, fully advanced	...	11.32°
Cylinder capacity	...	349	Piston ring gap	...	.010"-.14"
Compression ratio	...	6.3-1	Inlet valve opens, B.T.D.C.	...	22°
Engine sprocket, solo	...	19	Exhaust valve closes, A.T.D.C.	...	25°
Carburettor main jet	...	120	Petrol tank, gallons	...	3
Carburettor slide	...	5.4	Oil tank, pints	...	6
Carburettor needle jet	...	107	Weight, lbs. (dry)	...	325
Tappet clearance cold	...	.001"	*9.32 With Low Octane Fuel.		



## CARTON PACK COMPONENT LIST

The following sub-assemblies are supplied in carton packs under the CP part number stated. The contents of these carton packs are preserved and will not deteriorate under adverse conditions.

<i>Part No.</i>	<i>Description and Contents</i>		
<b>Brake Lining</b>			
CP.38	2	NW.243	Lining, brake
	16	W.129	Rivet
CP.66	2	W.631	Lining, brake
	16	W.129	Rivet
<b>Crankcase Bearing</b>			
CP.87	1	E.1591	Bearing, ball
	1	E.2877	Bearing, roller
<b>Fork (Telescopic) Service Pack</b>			
CP.50	2	H.443	Bearing, lower
	2	H.441	Bearing, upper
	2	E.1335	Washer, copper
	4	H.430	Washer, drain filler plug
	2	H.452	Restrictor, oil
	2	H.453	Cup, oil restrictor
	2	H.454	Pin, restrictor cup
	2	H.391	Washer, dust excluder felt
	2	H.420	Washer, outer cover felt
<b>Gears, Wide Ratio (1950)</b>			
CP.94	1	T.969	Gear, mainshaft high
	1	T.968	Gear, mainshaft 2nd
	1	T.971	Gear, layshaft high
	1	T.974	Gear, layshaft 2nd
<b>Gears, Close Ratio (1950)</b>			
CP.95	1	T.957	Gear, mainshaft high
	1	T.956	Gear, mainshaft 3rd
	1	T.955	Gear, mainshaft 2nd
	1	T.515C	Gear, mainshaft and low
	1	T.959	Gear, layshaft high
	1	T.964	Gear, layshaft 3rd
	1	T.963	Gear, layshaft 2nd
	1	T.961	Gear, layshaft low

SEE SPECIMEN ORDER IN PREFACE

<i>Part No.</i>	<i>Description and Contents</i>		
<b>Kickstarter Ratchet Gear</b>			
CP.27	1	T.730	Pinion, kickstarter
	1	T.731	Ratchet, kickstart
	1	T.488/28	Spring and Sleeve
	1	T.732	Lockwasher
<b>Piston</b>			
CP.29	1	E.1563	Piston
	2	E.656	Ring, compression
	1	GE.29	Ring, scraper
	1	WE.203E	Pin, Gudgeon
	2	WE.479	Circlip
CP.29/10	1	E.1563/10	Piston + .010 inch
	2	E.656/10	Ring, compression
	1	GE.29/10	Ring, scraper
	1	WE.203E	Pin, gudgeon
	2	WE.479	Circlip
CP.29/20	1	E.1563/20	Piston + .020 inch
	2	E.656/20	Ring, compression
	1	GE.29/20	Ring, scraper
	1	WE.203E	Pin, gudgeon
	2	WE.479	Circlip
CP.29/30	1	E.1563/30	Piston + .030 inch
	2	E.656/30	Ring, compression
	1	GE.29/30	Ring, scraper
	1	WE.203E	Pin, gudgeon
	2	WE.479	Circlip
CP.29/40	1	E.1563/40	Piston + .040 inch
	2	E.656/40	Ring, compression
	1	GE.29/40	Ring, scraper
	1	WE.203E	Pin, gudgeon
	2	WE.479	Circlip
CP.30	1	E.1908	Piston
	2	E.656	Ring, compression
	1	GE.29	Ring, scraper
	1	WE.203E	Pin, gudgeon
	2	WE.479	Circlip
CP.30/10	1	E.1908/10	Piston + .010 inch
	2	E.656/10	Ring, compression
	1	GE.29/10	Ring, scraper
	1	WE.203E	Pin, gudgeon
	2	WE.479	Circlip
CP.30/20	1	E.1908/20	Piston + .020 inch
	2	E.656/20	Ring, compression
	1	GE.29/20	Ring, scraper
	1	WE.203E	Pin, gudgeon
	2	WE.479	Circlip

**TREASURY NOTES MUST BE REGISTERED**

<i>Part No.</i>			<i>Description and Contents</i>
CP.30/30	1	E.1908/30	Piston + .030 inch
	2	E.656/30	Ring, compression
	1	GE.29/30	Ring, scraper
	1	WE.203E	Pin, gudgeon
	2	WE.479	Circlip
CP.30/40	1	E.1908/40	Piston + .040 inch
	2	E.656/40	Ring, compression
	1	GE.29/40	Ring, scraper
	1	WE.203E	Pin, gudgeon
	2	WE.479	Circlip
CP.49	1	E.1748	Piston
	2	E.1766	Ring, compression
	1	E.1819	Ring, scraper
	1	E.1750	Pin, gudgeon
	2	E.1767	Circlip
CP.49/10	1	E.1748/10	Piston + .010 inch
	2	E.1766/10	Ring
	1	E.1819/10	Ring, scraper
	1	E.1750	Pin, gudgeon
	2	E.1767	Circlip
CP.49/20	1	E.1748/20	Piston + .020 inch
	2	E.1766/20	Ring, compression
	1	E.1819/20	Ring, scraper
	1	E.1750	Pin, gudgeon
	2	E.1767	Circlip
CP.49/30	1	E.1748/30	Piston + .030 inch
	2	E.1766/30	Ring, compression
	1	E.1819/30	Ring, scraper
	1	E.1750	Pin, gudgeon
	2	E.1767	Circlip
CP.49/40	1	E.1748/40	Piston + .040 inch
	2	E.1766/40	Ring, compression
	1	E.1819/40	Ring, scraper
	1	E.1750	Pin, gudgeon
	2	E.1767	Circlip
CP.43	1	E.1841	Piston
	2	E.1766	Ring, compression
	1	E.1819	Ring, scraper
	1	E.1750	Pin, gudgeon
	2	E.1767	Circlip
CP.43/10	1	E.1841/10	Piston + .010 inch
	2	E.1766/10	Ring, compression
	1	E.1819/10	Ring, scraper
	1	E.1750	Pin, gudgeon
	2	E.1767	Circlip

**WHEN IN DOUBT SEND SAMPLE**

Part No.			Description and Contents
CP.43/20	1	E.1841/20	Piston + .020 inch
	2	E.1766/20	Ring, compression
	1	E.1819/20	Ring, scraper
	1	E.1750	Pin, gudgeon
	2	E.1767	Circlip
CP.43/30	1	E.1841/30	Piston + .030 inch
	2	E.1766/5	Ring, compression
	1	E.1819/5	Ring, scraper
	1	E.1750	Pin, gudgeon
	2	E.1767	Circlip
CP.43/40	1	E.1841/40	Piston + .040 inch
	2	E.1766/40	Ring, compression
	1	E.1819/40	Ring, scraper
	1	E.1750	Pin, gudgeon
	2	E.1767	Circlip
CP.61	1	E.2460	Piston
	2	E.656	Ring, compression
	1	GE.29	Ring, scraper
	1	WE.203E	Pin, gudgeon
	2	WE.479	Circlip
CP.61/10	1	E.2460/10	Piston + .010 inch
	2	E.656/10	Ring, compression
	1	GE.29/10	Ring, scraper
	1	WE.203E	Pin, gudgeon
	2	WE.479	Circlip
CP.61/20	1	E.2460/20	Piston + .020 inch
	2	E.656/20	Ring, compression
	1	GE.29/20	Ring, scraper
	1	WE.203E	Pin, gudgeon
	2	WE.479	Circlip
CP.61/30	1	E.2460/30	Piston + .030 inch
	2	E.656/30	Ring, compression
	1	GE.29/30	Ring, scraper
	1	WE.203E	Pin, gudgeon
	2	WE.479	Circlip
CP.61/40	1	E.2460/40	Piston + .040 inch
	2	E.656/40	Ring, compression
	1	GE.29/40	Ring, scraper
	1	WE.203E	Pin, gudgeon
	2	WE.479	Circlip
CP.98	1	E.2891	Piston
	2	E.2897	Ring, compression
	1	E.2898	Ring, scraper
	1	WE.203E	Pin, gudgeon
	2	WE.479	Circlip

**DO NOT FORGET TO SIGN YOUR ORDER**

<i>Part No.</i>			<i>Description and Contents</i>
CP.98/10	1	E.2891/10	Piston + .010 inch
	2	E.2897/10	Ring, compression
	1	E.2898/10	Ring, scraper
	1	WE.203E	Pin, gudgeon
	2	WE.479	Circlip
CP.98/20	1	E.2891/20	Piston + .020 inch
	2	E.2897/10	Ring, compression
	1	E.2898/10	Ring, scraper
	1	WE.203E	Pin, gudgeon
	2	WE.479	Circlip
CP.98/30	1	E.2891/30	Piston + .030 inch
	2	E.2897/30	Ring, compression
	1	E.2898/30	Ring, scraper
	1	WE.203E	Pin, gudgeon
	2	WE.479	Circlip
CP.98/40	1	E.2891/40	Piston + .040 inch
	2	E.2897/40	Ring, compression
	1	E.2898/30	Ring, scraper
	1	WE.203E	Pin, gudgeon
	2	WE.479	Circlip
<b>Piston Rings.</b>			
CP.40	4	E.656	Ring, compression
	2	GE.29	Ring, scraper
CP.40/10	4	E.656/10	Ring, compression
	2	GE.29/5	Ring, scraper
CP.40/20	4	E.656/20	Ring, compression
	2	GE.29/20	Ring, scraper
CP.40/30	4	E.656/30	Ring, compression
	2	GE.29/30	Ring, scraper
CP.40/40	4	E.656/40	Ring, compression
	2	GE.29/40	Ring, scraper
CP.55	4	E.1766	Ring, compression
	2	E.1819	Ring, scraper
CP.55/10	4	E.1766/10	Ring, compression
	2	E.1819/10	Ring, scraper
CP.55/20	4	E.1766/20	Ring, compression
	2	E.1819/20	Ring, scraper

**SEE SPECIMEN ORDER IN PREFACE**

<i>Part No.</i>		<i>Description and Contents</i>	
CP.55/30	4	E.1766/30	Ring, compression
	2	E.1819/30	Ring, scraper
CP.55/40	4	E.1766/40	Ring, compression
	2	E.1819/40	Ring, scraper
CP.99	4	E.2897	Ring, compression
	2	E.2898	Ring, scraper
CP.99/10	4	E.2897/10	Ring, compression
	2	E.2898/10	Ring, scraper
CP.99/20	4	E.2897/20	Ring, compression
	2	E.2898/20	Ring, scraper.
CP.99/30	4	E.2897/30	Ring, compression
	2	E.2898/30	Ring, scraper
CP.99/40	4	E.2897/40	Ring, compression
	2	E.2898/40	Ring, scraper

#### **Rear Spring Wheel Spring Set**

CP.67	1	W.837	Spring, inner main
	1	W.836	Spring, outer main
	1	W.890	Spring, rebound
	1	W.664	Locator plate

#### **Sidecar Connections**

CP.14	1	F.2587	Connection, front
	1	F.2600	Bolt
	2	F.1746	Nut, sleeved
	1	F.2601	Connection, rear
	2	F.1743	Stud
	2	SI-5	Nut
	2	KF.365	Washer, spring
	1	F.1747	Nut

#### **Steering Races**

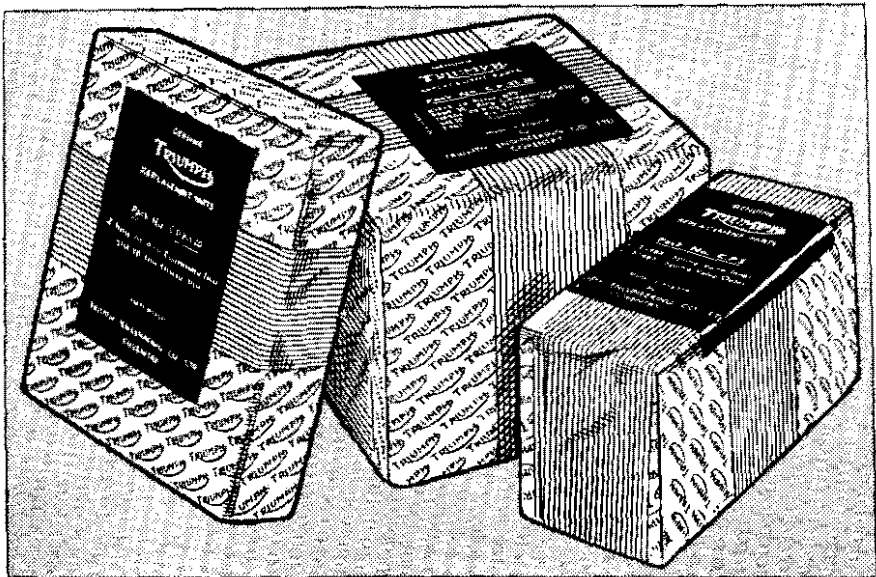
CP.56	2	XS.10	Cup
	1	H.433	Cone
	1	XS.8	Cone
	44	S.70-4	Ball
CP.57	1	H.437	Cup
	1	H.111	Cup
	1	H.438	Cone
	1	H.439	Cone
	22	S.70-4	Ball
	20	S.70-3	Ball

**ALWAYS QUOTE ENGINE NUMBER AND PREFIX**



Part No.		Description and Contents	
<b>Valves</b>			
CP.6	2	E.1955	Valve, inlet
	2	E.1956	Valve, exhaust
CP.53	2	E.1751	Valve, inlet
	2	E.1752	Valve, exhaust
CP.96	2	E.2903	Valve, inlet
	2	E.2904	Valve, exhaust
<b>Valve Guides</b>			
CP.54	4	E.1759	Guide, inlet and exhaust
CP.97	2	E.2899	Guide, inlet
	2	E.2900	Guide, exhaust
<b>Valve Springs</b>			
CP.5	4	E.1488	Spring, inner
	4	E.1487	Spring, outer
CP.52	4	E.1777	Spring, inner
	4	E.1778	Spring, outer

### TRIUMPH CARTON PACKS



All parts in Triumph Carton Packs are fully preserved and can be stored indefinitely with perfect safety even under adverse conditions.

**WHEN IN DOUBT SEND SAMPLE**

# REPLACEMENT PARTS

## ENGINE GROUP

REF. No.	PART No.	DESCRIPTION	3T	5T	T100	6T
<b>CYLINDER BLOCK</b>						
1	E.2937	Block, cylinder ... ..	—	1	1	—
2	E2461	" " " " " " " "	1	—	—	—
3	E2895	" " " " " " " "	—	—	—	1
4	E2249	Washer, cylinder base ... ..	—	1	1	—
5	E2677	" " " " " " " "	1	—	—	—
6	E2894	" " " " " " " "	—	—	—	1
<b>CYLINDER HEAD</b>						
7	E2928	Head, cylinder c/w guides ... ..	—	1	—	—
8	E2929	" " " " " " " "	—	—	1	—
9	E2645	" " " " " " " "	1	—	—	—
10	E2896	" " " " " " " "	—	—	—	1
11	E2248	Gasket, cylinder head ... ..	—	1	1	—
12	E2614	" " " " " " " "	1	—	—	—
13	E2905	" " " " " " " "	—	—	—	1
14	E327	Bolt, " " " short ... ..	—	4	4	4
15	E1484	" " " " long (rear) ... ..	—	2	2	2
16	E1596	" " " " " (front) ... ..	—	2	2	2
17	E1795	" " " " " " " "	4	—	—	—
18	E2631	" " " " short (front) ... ..	2	—	—	—
19	E2632	" " " " " (rear) ... ..	2	—	—	—
20	G5308	Washer, cylinder head bolt ... ..	8	4	4	4
21	E1675	Manifold, inlet ... ..	—	—	1	—
22	E1456	" " " " " " " "	—	1	—	—
23	E2913	" " " " " " " "	—	—	—	1
24	E1552	Washer, inlet manifold joint ... ..	—	2	—	—
25	E1676	" " " " " " " "	—	—	2	2
26	E1715	Stud, inlet manifold ... ..	—	—	4	—
27	E1554	" " " " " " " "	—	4	—	—
28	E2920	" " " " " " " "	—	—	—	4
29	W103	Nut, " " " stud ... ..	—	4	4	4
30	S25-13	Washer, " " " " " " " "	—	4	4	4
31	E.1553	Stud, carburetter fixing ... ..	—	2	2	2
32	E1396	" " " " " " " "	2	—	—	—
33	S1-51	Nut, " " " stud ... ..	2	2	2	2
34	S25-3	Washer, " " " " " " " "	2	2	2	2
35	E1987	Stud, rocker inspection cover ... ..	2	—	—	—
36	E1912	Nut, " " " " knurled ... ..	2	—	—	—

SEE SPECIMEN ORDER IN PREFACE

REF. No. PART No. DESCRIPTION 3T 5T T100 6T

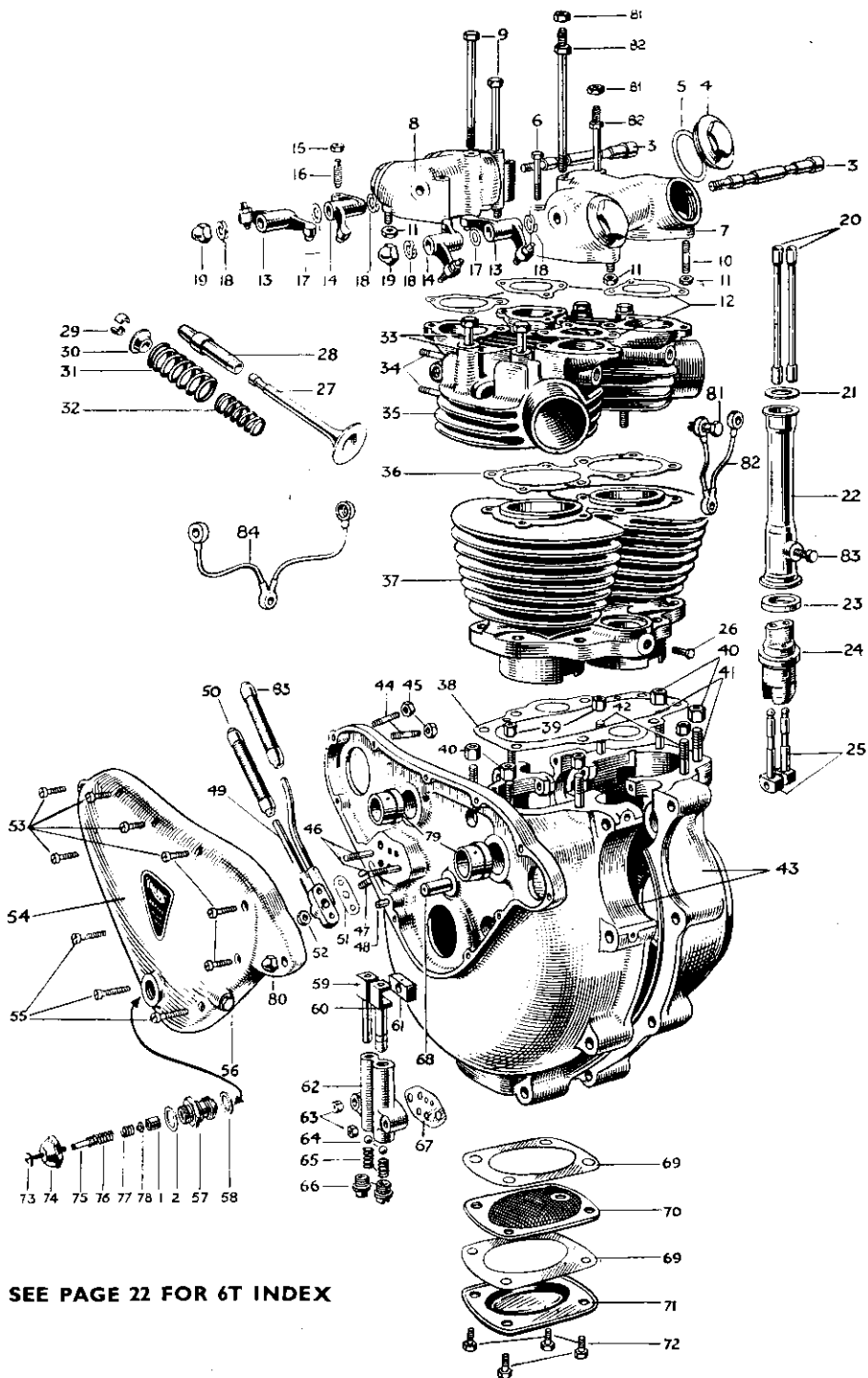
**VALVES AND VALVE SPRINGS**

1	E1955	Valve, inlet	...	...	...	...	—	2	2	—
2	E1751	" "	...	...	...	...	2	—	—	—
3	E2903	" "	...	...	...	...	—	—	—	2
4	E1956	" exhaust	...	...	...	...	—	2	2	—
5	E1752	" "	...	...	...	...	2	—	—	—
6	E2904	" "	...	...	...	...	—	—	—	2
7	E2899	Guide, inlet valve	...	...	...	...	—	2	2	2
8	E2900	" exhaust valve	...	...	...	...	—	2	2	2
9	E1759	" inlet and exhaust valve	...	...	...	...	4	—	—	—
10	E1488	Spring, valve inner	...	...	...	...	—	4	4	4
11	E1777	" " "	...	...	...	...	4	—	—	—
12	E1487	" " outer	...	...	...	...	—	4	4	4
13	E1778	" " "	...	...	...	...	4	—	—	—
14	E1543	Collar, valve spring top	...	...	...	...	—	4	4	4
15	E1757	" " "	...	...	...	...	4	—	—	—
16	E1544	Cup, valve spring bottom	...	...	...	...	—	4	4	4
17	E1758	" " "	...	...	...	...	4	—	—	—
18	WE259A	Cotter, valve split	...	...	...	...	8	8	8	8

**PISTONS**

19	E1563	Piston body, Standard C.R. 7 : 1	...	...	...	...	—	2	—	—
20	E1563/10	" " + .010"	...	...	...	...	—	2	—	—
21	E1563/20	" " + .020"	...	...	...	...	—	2	—	—
22	E1563/30	" " + .030"	...	...	...	...	—	2	—	—
23	E1563/40	" " + .040"	...	...	...	...	—	2	—	—
24	E1908	" " Standard .. 7.8 : 1	...	...	...	...	—	—	2	—
25	E1908/10	" " + .010"	...	...	...	...	—	—	2	—
26	E1908/20	" " + .020"	...	...	...	...	—	—	2	—
27	E1908/30	" " + .030"	...	...	...	...	—	—	2	—
28	E1908/40	" " + .040"	...	...	...	...	—	—	2	—
29	E2460	" " Standard .. 8.25 : 1	...	...	...	...	—	—	2	—
30	E2460/10	" " + .010"	...	...	...	...	—	—	2	—
31	E2460/20	" " + .020"	...	...	...	...	—	—	2	—
32	E2460/30	" " + .030"	...	...	...	...	—	—	2	—
33	E2460/40	" " + .040"	...	...	...	...	—	—	2	—
34	E2891	" " Standard .. 7 : 1	...	...	...	...	—	—	—	2
35	E2891/10	" " + .010"	...	...	...	...	—	—	—	2
36	E2891/20	" " + .020"	...	...	...	...	—	—	—	2
37	E2891/30	" " + .030"	...	...	...	...	—	—	—	2
38	E1748	" " Standard .. 6.3 : 1	...	...	...	...	2	—	—	—
39	E1748/10	" " + .010"	...	...	...	...	2	—	—	—
40	E1748/20	" " + .020"	...	...	...	...	2	—	—	—
41	E1748/30	" " + .030"	...	...	...	...	2	—	—	—
42	E1748/40	" " + .040"	...	...	...	...	2	—	—	—

**SEE PAGES 11 TO 17 FOR CARTON PACKS**



SEE PAGE 22 FOR 6T INDEX

**ENGINE 5T, T100 AND 6T — CRANKCASE, CYLINDER BLOCK AND CYLINDER HEAD, ETC.**

**5T AND T100 MODELS**  
**INDEX TO ILLUSTRATION ON PAGE 20**

Illust. No.	Part No.	Page	Ref.	Illust. No.	Part No.	Page	Ref.
1	GS.251	31	3	39	WV.76	28	36
2	GS.254	31	6	40	PO.172A ✓	28	37
3	E.1512	33	27	41	E.672	28	32
4	E.1564	33	8	42	E.1614 ✓	28	32
5	E.1577	33	11	43	E.2219;20A	28	29
6	E.1545	33	15	44	E.2022	29	1
7	E.1462	33	3	45	F.1008	29	2
	E.1462T	33	4	46	E.1536	29	13
8	E.1461	33	1	47	E.1539	29	4
	E.1461T	33	2	48	E.1535	29	8
9	E.1484	18	15	49	E.1S26	70	7
10	E.1540 ✓	33	6	50	MF.119	70	12
11	F.879	33	7	51	E.1529	70	9
12	E.1650	33	5	52	S.1-51	70	10
13	E.1458	33	19	53	E.427	32	7
14	E.1457	33	17	54	E.2218	31	12
15	E.470	33	23	55	E.1049	32	6
16	E.1513	33	22	56	E.2615	31	15
17	E.1575	33	25	57	E.2794	31	2
18	E.1574	33	26	58	E.1670	31	5
19	E.1435	33	29	59	GS.153	30	3
20	E.1693	32	35	60	E.1476	30	4
21	E.1497	32	41	61	E.495	30	5
22	E.1505	32	37	62	GS.35	30	2
23	E.1496	32	39	63	F.879	29	14
24	E.1477	32	31	64	S.70-7	30	6
25	E.1478	32	30	65	E.403	30	7
26	H.200	32	33	66	E.386	30	8
27	E.1955 (In)	19	1	67	E.1537	30	9
	E.1956 (Ex)	19	4	68	E.375	32	22
28	E.2899 (In)	19	7	69	E.487	29	18
	E.2900 (Ex)	19	8	70	E.529	29	16
29	WE.259A	19	18	71	E.486	29	17
30	E.1543	19	14	72	MT.63	29	19
31	E.1487	19	12	73	E.2791	31	8
32	E.1488	19	10	74	E.2790	31	4
33	E.327	18	14	75	E.2793	31	9
34	E.1715	18	26	76	E.2788	31	7
	E.1554	18	27	77	E.2789	31	10
35	E.2928	18	7	78	E.2792	31	11
	E.2929	18	8	79	E.1479	29	31
36	E.2248	18	11	80	E.2228	89	22
37	E.2937	18	1	81	S.1-52	43	32
38	E.2249	18	4	82	E.1596 ✓	18	16

FOR IDENTIFICATION OF PARTS—SEE PAGE 10

6T MODEL

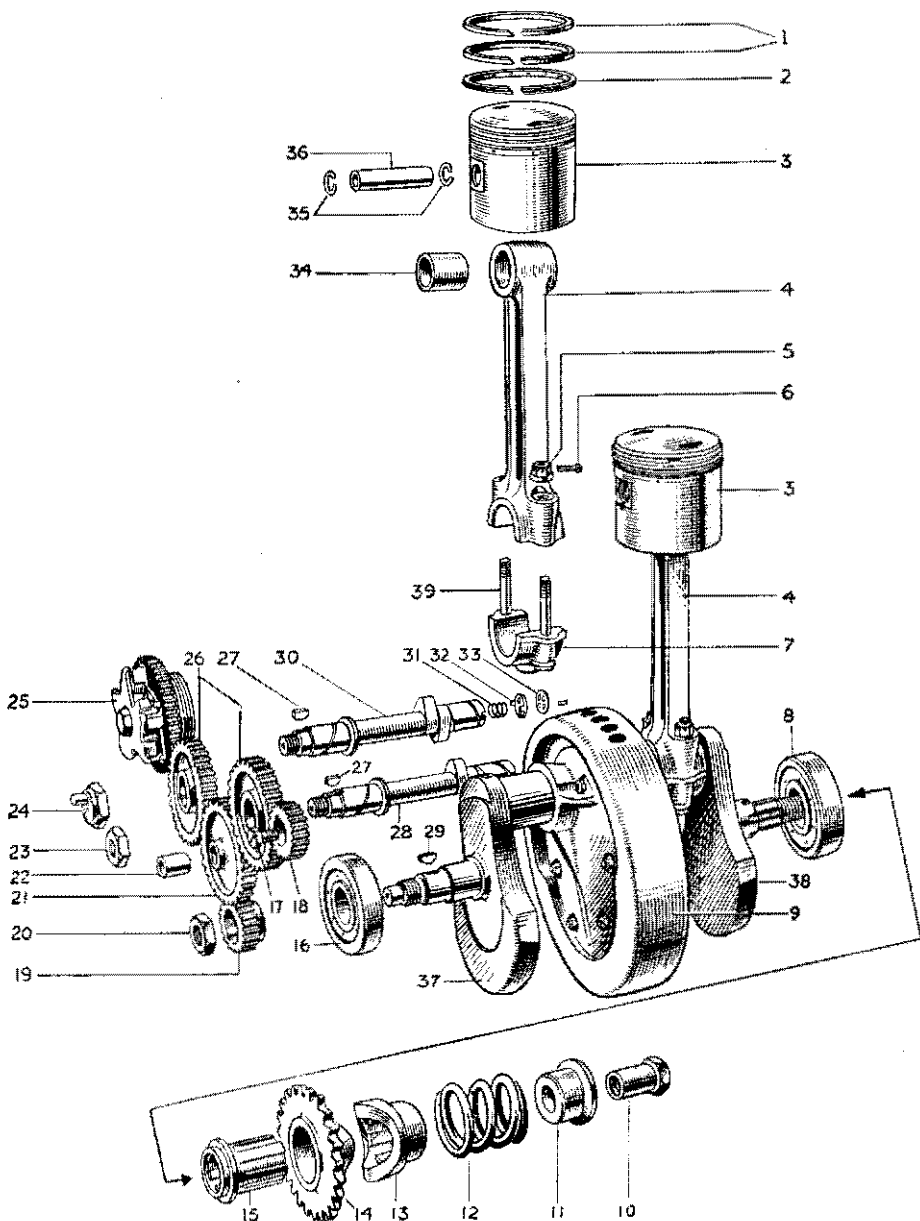
INDEX TO ILLUSTRATION ON PAGE 20

Illust. No.	Part No.	Page	Ref.	Illust. No.	Part No.	Page	Ref.
1	GS.251	31	3	41	E.672	28	32
2	GS.254	31	6	42	E.1614	28	33
3	E.1512	33	27	43	E.2892-3	28	30
4	E.1564	33	8	44	E.2022	29	1
5	E.1577	33	11	45	F.1008	29	2
6	E.1545	33	15	46	E.1536	29	13
7	E.1462	33	3	47	E.1539	29	4
8	E.1461	33	1	48	E.1535	29	8
9	E.1484	18	15	49	E.1526	70	7
10	E.1540	33	6	50	MF.119	70	12
11	F.879	33	7	51	E.1529	70	9
12	E.1650	33	5	52	S.1-51	70	10
13	E.1458	33	19	53	E.427	32	7
14	E.1457	33	17	54	E.2218	31	12
15	E.470	33	23	55	E.1049	32	6
16	E.1513	33	22	56	E.2615	31	5
17	E.1575	33	25	57	E.2794	31	2
18	E.1574	33	26	58	E.1670	31	5
19	E.1435	33	29	59	GS.153	30	3
20	E.1693	32	35	60	E.1476	30	4
21	E.1497	32	41	61	E.495	30	5
22	E.1505	32	37	62	GS.35	30	2
23	E.1496	32	39	63	F.879	29	14
24	E.1477	32	31	64	S.70-7	30	6
25	E.1478	32	30	65	E.403	30	7
26	H.200	32	33	66	E.386	30	8
27	E.2903 (In)	19	3	67	E.1537	30	9
	E.2904 (Ex)	19	6	68	E.375	32	22
28	E.2899 (In)	19	7	69	E.487	29	18
	E.2900 (Ex)	19	8	70	E.529	29	16
29	WE.259A	19	18	71	E.486	29	17
30	E.1543	19	14	72	MT.63	29	19
31	E.1487	19	12	73	E.2791	31	8
32	E.1488	19	10	74	E.2790	31	4
33	E.327	18	14	75	E.2793	31	9
34	E.2920	18	28	76	E.2788	31	7
35	E.2896	18	10	77	E.2789	31	10
36	E.2905	18	13	78	E.2792	31	11
37	E.2895	18	3	79	E.1479	29	31
38	E.2894	18	6	80	E.2228	89	22
39	W.76	28	36	81	S.1-52	43	32
40	PO.172A	28	37	82	E.1596	18	16

FOR IDENTIFICATION OF PARTS—SEE PAGE 10

REF. No.	PART No.	DESCRIPTION	3T	5T	T100	6T
1	E1841	Piston body, Standard C.R. 7 : 1	2	—	—	—
2	E1841/10	" " + .010"	2	—	—	—
3	E1841/20	" " + .020"	2	—	—	—
4	E1841/30	" " + .030"	2	—	—	—
5	E1841/40	" " + .040"	2	—	—	—
6	E656	Ring, piston compression Standard	—	4	4	—
7	E656/10	" " " + .010"	—	4	4	—
8	E656/20	" " " + .020"	—	4	4	—
9	E656/30	" " " + .030"	—	4	4	—
10	E656/40	" " " + .040"	—	4	4	—
11	E2897	" " " Standard	—	—	—	4
12	E2897/10	" " " + .010"	—	—	—	4
13	E2897/20	" " " + .020"	—	—	—	4
14	E2897/30	" " " + .030"	—	—	—	4
15	E2897/40	" " " + .040"	—	—	—	4
16	E1766	" " " Standard	4	—	—	—
17	E1766/10	" " " + .010"	4	—	—	—
18	E1766/20	" " " + .020"	4	—	—	—
19	E1766/30	" " " + .030"	4	—	—	—
20	E1766/40	" " " + .040"	4	—	—	—
21	GE29	" " scraper, Standard	—	2	2	—
22	GE29/10	" " " + .010"	—	2	2	—
23	GE29/20	" " " + .020"	—	2	2	—
24	GE29/30	" " " + .030"	—	2	2	—
25	GE29/40	" " " + .040"	—	2	2	—
26	E2898	" " " Standard	—	—	—	2
27	E2898/10	" " " + .010"	—	—	—	2
28	E2898/20	" " " + .020"	—	—	—	2
29	E2898/30	" " " + .030"	—	—	—	2
30	E2898/40	" " " + .040"	—	—	—	2
31	E1819	" " " Standard	2	—	—	—
32	E1819/10	" " " + .010"	2	—	—	—
33	E1819/20	" " " + .020"	2	—	—	—
34	E1819/30	" " " + .030"	2	—	—	—
35	E1819/40	" " " + .040"	2	—	—	—
36	WE203E	Pin, gudgeon	—	2	2	2
37	E1750	" " " " " " " "	2	—	—	—
38	WE479	Circlip, gudgeon pin retaining	—	4	4	4
39	E1767	" " " " " " " "	4	—	—	—

SEE PAGES 11 TO 17 FOR CARTON PACKS



See references on pages 25 and 28 for items 4, 5 and 39

**ENGINE, 5T, T100 AND 6T—CRANKSHAFT, CONNECTING RODS, PISTONS, TIMING GEAR, ETC.**



**INDEXES TO ILLUSTRATION ON PAGE 24  
5T AND T100 MODELS**

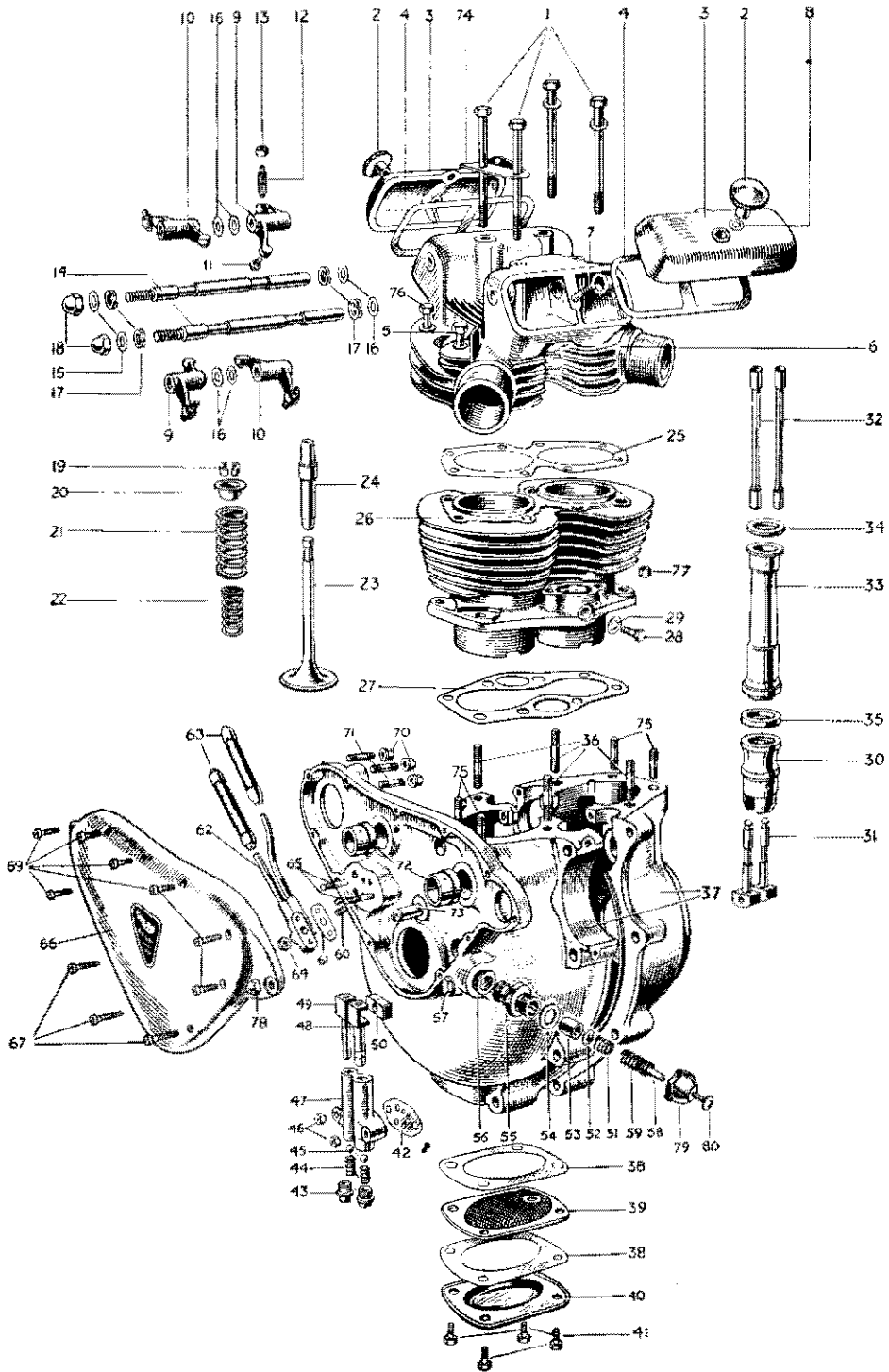
Illust. No.	Part No.	Page	Ref.	Illust. No.	Part No.	Page	Ref.
1	E.656	23	6	19	E.1472	32	9
2	GE.29	23	21	20	E.398	32	12
3	E.1563	19	19	21	E.1471	32	19
	E.1908	19	24	22	E.400	32	21
*4	E.2932	28	21	23	E.1492	32	17
	E.2932T	28	22	24	E.1463	32	18
*5	E.2922	28	28	25	E.1992	32	23
*6	1/16" Split Pin				47502A	32	24
7	Sold with E.2932 only			26	E.1486	32	15
8	E.1591	29	26	27	E.1558	32	16
9	E.2916	28	5	28	E.2302	32	13
	E.2916T	28	6	29	E.1580	32	11
10	E.509	34	11	30	E.2302	32	13
11	E.396	34	10	31	E.2256	32	23
12	E.2912	34	8	32	E.2254	32	26
13	E.1681	34	6	33	GS.87	32	27
14	E.2826F	33	41	34	E.1511	28	25
	E.2826C	33	43	35	WE.479	23	38
15	E.1521	34	7	36	WE.203E	23	36
16	E.2877	29	24	37	E.2915	28	9
17	111700	89	20	38	E.2914	28	12
18	E.2451	32	25	*39	E.2490A	28	27

\*These are the latest pattern connecting rods fitted with inverted bolts and Simmonds nuts. For replacement bolts and nuts of the early pattern shown in the illustration, see page 28.

**6T. MODEL**

Illust. No.	Part No.	Page	Ref.	Illust. No.	Part No.	Page	Ref.
1	E.2897	23	11	21	E.1471	32	19
2	E.2898	23	26	22	E.400	32	21
3	E.2891	19	34	23	E.1492	32	17
4	E.2921	28	23	24	E.1463	32	18
5	E.2922	28	28	25	E.1992	32	23
7	Sold with E.2921 only				475,02A	32	24
8	E.1591	29	26	26	E.1486	32	15
9	E.2908	28	7	27	E.1558	32	16
10	E.509	34	11	28	E.2302	32	13
11	E.396	34	10	29	E.1580	32	11
12	E.2912	34	8	30	E.2302	32	13
13	E.1681	34	6	31	E.2256	32	28
14	E.2826D	33	44	32	E.2254	32	26
	E.2826A	33	45	33	GS.87	32	27
15	E.1521	34	7	34	E.1511	28	25
16	E.2877	29	24	35	WE.479	23	38
17	111700	89	20	36	WE.203E	23	36
18	E.2451	32	25	37	E.2902	28	10
19	E.1472	32	9	38	E.2901	28	13
20	E.398	32	12	39	E.2490A	28	27

**SEE PAGES 11 TO 17 FOR CARTON PACKS**



**ENGINE 3T—CRANKCASE, CYLINDER BLOCK AND CYLINDER HEAD, ETC.**

INDEX TO ILLUSTRATION ON PAGE 26

Illust. No.	Part No.	Page	Ref.	Illust. No.	Part No.	Page	Ref.
1	F.1795	18	17	40	E.486	29	17
2	E.1912	33	13	41	MT.63	29	19
3	E.1779	33	9	42	E.1537	30	9
4	E.1780	33	12	43	E.386	30	8
5	E.2631	18	18	44	E.403	30	7
6	E.2645	18	9	45	5.70-7	30	6
7	E.1987	18	35	46	F.879	29	14
8	PT.104B	33	14	47	G5.35	30	2
9	E.1755	33	18	48	E.1476	30	4
10	E.1756	33	20	49	GS.153	30	3
11	E.1483	33	21	50	E.495	30	5
12	E.1513	33	22	51	E.2789	31	10
13	E.470	33	23	52	E.2792	31	11
14	E.1813	33	28	53	GS.251	31	3
15	E.1330	33	24	54	GS.254	31	6
16	E.1575	33	25	55	E.2794	31	2
17	E.1574	33	26	56	E.1670	31	5
18	E.1435	33	29	57	E.2615	31	15
19	WE.259A	19	18	58	E.2793	31	9
20	E.1757	19	15	59	E.2788	31	7
21	E.1778	19	13	60	E.1539	29	4
22	E.1777	19	11	61	E.1529	70	9
23	E.1751 (In)	19	2	62	E.2457	70	8
	E.1752 (Ex)	19	5	63	MF.119	70	12
24	E.1759	19	9	64	S.1-51	70	10
25	E.2614	18	12	65	E.1536	29	13
26	E.2461	18	2	66	E.2252	31	13
27	E.2677	18	5	67	E.1049	32	6
28	H.200	32	33	69	E.427	32	7
29	E.2312	32	34	70	F.1008	29	2
30	E.1837	32	32	71	E.2022	29	1
31	E.1478	32	30	72	E.1479	29	31
32	E.1785	32	36	73	E.375	32	22
33	E.1838	32	38	74	F.2380	43	23
34	E.1497	32	41	75	E.2463	28	35
35	E.2425	32	40	76	E.2632	18	19
36	E.2462	28	34	77	W.76	28	36
37	E.2250, 51A	28	31	78	E.2228	89	22
38	E.487	29	18	79	E.2790	31	4
39	E.529	29	16	80	E.2791	31	8

No.	PART No.	DESCRIPTION	3T	5T	T100	6T
<b>CRANKSHAFT AND FLYWHEEL ASSEMBLY</b>						
1	E2917	Crankshaft and flywheel assembly	—	1	—	—
2	E2917T	" " " " "	—	—	1	—
3	E2911	" " " " "	—	—	—	1
4	E2200A	Crankshaft and flywheel assembly c/w con- rods	1	—	—	—
5	E2916	Flywheel	—	1	—	—
6	E2916T	" " " " "	—	—	1	—
7	E2908	" " " " "	—	—	—	1
8	E1745	" " " " "	1	—	—	—
9	E2915	Crankshaft, timing side	—	1	1	—
10	E2902	" " " " "	—	—	—	1
11	E1747	" " " " "	1	—	—	—
12	E2914	" driving "	—	1	1	—
13	E2901	" " " " "	—	—	—	1
14	E2200	" " " " "	1	—	—	—
15	E1790	Tube, crankshaft connecting	1	—	—	—
16	E393	Plug, " " " " "	—	1	1	1
17	E1562	Bolt, " to flywheel	—	6	6	6
18	E1760	" " " " "	2	—	—	—
19	W103	Nut, " " " bolt	—	6	6	6
20	E1797	" " " " "	2	—	—	—

### CONNECTING RODS

21	† E2932	Rod, connecting	—	2	—	—
22	† E2932T	" " " " "	—	—	2	—
23	E2921	" " " " "	—	—	—	2
24	E1749	" " " " "	2	—	—	—
25	E1511	Bush, " rod small end	—	2	2	2
26	E1762	" " " " "	2	—	—	—
27	* E2490A	Bolt, " cap	—	2	2	2
28	* E2922	Nut, " " bolt	—	2	2	2

†These are the latest pattern. If replacements are required for engines prior to No. 7131N, as illustrated on page 24, latest pattern should be ordered, in pairs only.

\*For early pattern use E2448 bolt and E1530 nut on 5T and T100.

### CRANKCASE

29	E2219/20A	Crankcase assembly less main bearings	—	1	1	—
30	E2892/3	" " " " "	—	—	—	1
31	E2250/51A	" " " " "	1	—	—	—
32	E672	Stud, crankcase cylinder base	—	6	6	6
33	E1614	" " " " dowel	—	2	2	2
34	E2462	" " " " long	4	—	—	—
35	E2463	" " " " short	4	—	—	—
36	W76	Nut, " " stud	8	4	4	4
37	PO172A	" " " " "	—	4	4	4
38	E1534A	Dowel, " " for E1614	—	2	2	2
39	E1579	" " halves	1	1	1	1

**CRANKCASE HALVES CANNOT BE SUPPLIED SEPARATELY**

REF No.	PART No.	DESCRIPTION	3T	5T	T100	6T
1	E2022	Stud, magneto to crankcase ...	3	3	3	3
2	F1008	Nut, " " " stud ...	3	3	3	3
3	S25-3	Washer, " " " " ...	3	3	3	3
4	E1539	Stud, oil junction block ...	1	1	1	1
5	S1-51	Nut, " " " " ...	1	1	1	1
6	S25-3	Washer, oil junction block stud ...	1	1	1	1
7	E1532	Dowel " " " " ...	1	1	1	1
8	E1535	" " crankcase to timing cover ...	1	1	1	1
9	E1508	Pipe, crankcase oil return ...	—	1	1	1
10	E1770	" " " " " ...	1	—	—	—
11	E1509	Clip, " " " " pipe ...	1	1	1	1
12	E1645	Screw, " " " " " ...	1	1	1	1
13	E1536	Stud, oil pump fixing ...	2	2	2	2
14	F879	Nut, " " " stud ...	2	2	2	2
15	E2312	Washer, oil pump fixing stud ...	2	2	2	2
16	E529	Filter, crankcase oil ...	1	1	1	1
17	E486	Cover, " " " filter ...	1	1	1	1
18	E487	Washer, " " " joint ...	2	2	2	2
19	MT63	Screw, " " " " ...	4	4	4	4
20	S26-2	Washer, " " " spring ...	4	4	4	4
21	E2615	Plug, crankcase oil ...	1	—	—	—
22	E1335	Washer, " " " plug ...	1	—	—	—
23	E2311	Pin, breather locating ...	1	1	1	1

### CRANKCASE BEARINGS

24	E2877	Bearing, crankcase timing side (roller) ...	—	1	1	1
25	E1769	" " " " " (plain) ...	1	—	—	—
26	E1591	" " " " " driving " (ball) ...	—	1	1	1
27	E1592	" " " " " " " " ...	1	—	—	—
28	E2883	Chip shield, timing side bearing ...	—	1	1	1
29	E2296	Disc, timing side bearing ...	—	1	1	1
30	E489	Ring, " " " retaining ...	—	1	1	1
31	E1479	Bush, " " " camshaft ...	2	2	2	2
32	E1516	" " driving " " " ...	1	1	1	1
33	E2260	" " " " " (breather) ...	1	1	1	1

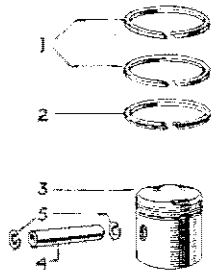
### CRANKCASE STUDS AND BOLTS

34	E1555	Bolt, crankcase top rear ...	1	1	1	1
35	S25-3	Washer, " " " " bolt ...	1	1	1	1
36	E925	Stud, " " bottom front ...	1	—	—	—
37	T456	" " " " " " ...	—	1	1	1
38	S1-51	Nut, " " " " stud ...	2	2	2	2
39	S25-3	Washer " " " " " ...	2	2	2	2
40	E1647	Screw, " " inside boss ...	2	2	2	2

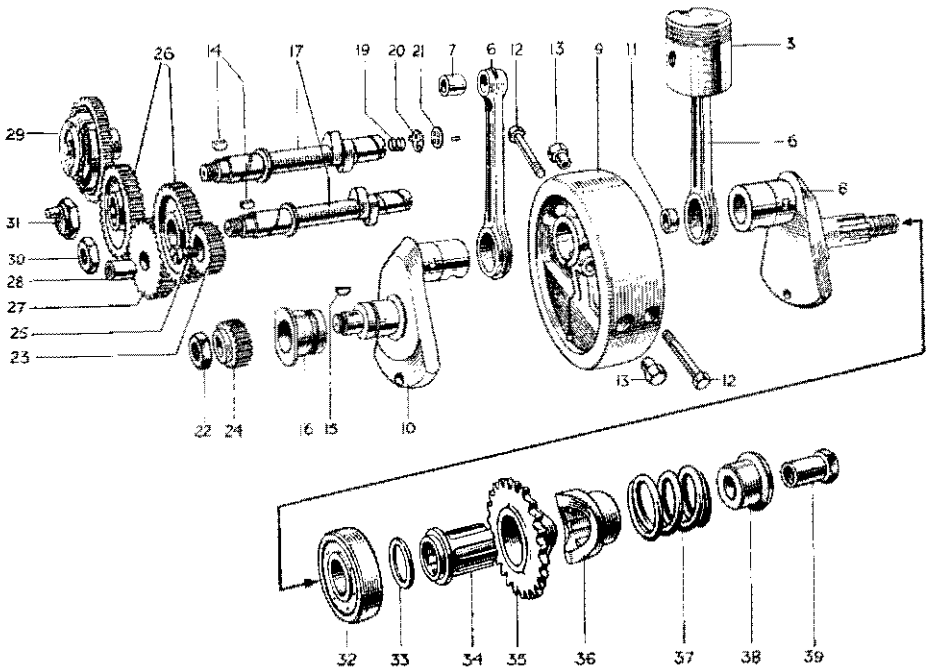
For engine plate studs see pages 47 and 43

**WHEN IN DOUBT SEND SAMPLE**

F. No.	PART No.	DESCRIPTION	3T	5T	T100	T6
<b>OIL PUMP</b>						
1	GS326	Pump assembly, oil ... ..	1	1	1	1
2	GS35	Body, oil pump ... ..	1	1	1	1
3	GS153	Plunger, oil pump feed ... ..	1	1	1	1
4	E1476	" " " scavenge ... ..	1	1	1	1
5	E495	Block, " " slider ... ..	1	1	1	1
6	S70-7	Ball, " " " ... ..	2	2	2	2
7	E403	Spring, oil pump valve ... ..	2	2	2	2
8	E386	Plug, " " " ... ..	2	2	2	2
9	E1537	Washer, " " joint ... ..	1	1	1	1



FOR INDEX TO THIS ILLUSTRATION SEE PAGE 31.



**ENGINE 3T—CRANKSHAFT, CONNECTING RODS, PISTONS, TIMING GEARS, ETC.**

REF. No.	PART No.	DESCRIPTION	3T	5T	T100	6T
----------	----------	-------------	----	----	------	----

**RELEASE VALVE**

1	E2795	Valve, release and oil indicator	...	...				
2	E2794	Body, " valve	...	...	...	...		
3	GS251	Piston, " "	...	...	...	...		
4	E2790	Cap, " "	...	...	...	...		
5	E1670	Washer, " " body	...	...	...	...		
6	GS254	Washer, " " cap	...	...	...	...		
7	E2788	Spring, " " "	...	...	...	...		
8	E2791	Shaft, indicator button	...	...	...	...		
9	E2793	Tube, " rubber	...	...	...	...		
10	E2789	Spring, " auxiliary	...	...	...	...		
11	E2792	Nut, " shaft	...	...	...	...		

**TIMING COVER**

12	E2218	Cover, timing gear (state model)	...	...	—			
13	E2252	" " " "	...	...	...		—	—
14	E378	Bush, " " cover	...	...	...	—		
15	E2615	Plug, " " "	...	...	...	—		
16	E1335	Washer, " " " plug	...	...	...	—		

**INDEX TO ILLUSTRATION ON PAGE 30**

Illust. No.	Part No.	Page	Ref.	Illust. No.	Part No.	Page	Ref.
1	E.1766	23	16	21	GS.87	32	27
2	E.1819	23	31	22	E.398	32	12
3	E.1748	19	38	23	E.2451	32	25
	E.1841	23	1	24	E.1771	32	10
4	E.1750	23	37	25	111700	89	20
5	E.1767	23	39	26	E.1486	32	15
6	E.1749	28	24	27	E.2202	32	20
7	E.1762	28	26	28	E.400	32	21
8	E.2200	28	14	29	47S02A	32	24
9	E.1745	28	8		E.1992	32	23
10	E.1747	28	11	30	E.1492	32	17
11	E.1790	28	15	31	E.1463	32	18
12	E.1760	28	18	32	E.1592	29	27
12	E.1797	28	20	33	E.1732	34	12
14	E.1558	32	16	34	E.1521	34	7
15	E.1580	32	11	35	E.2826F	33	42
16	E.1769	29	25	36	E.1681	34	6
17	E.2266	32	14	37	E.659	34	9
19	E.2256	32	28	38	E.396	34	10
20	E.2254	32	26	39	E.509	34	11

**FOR IDENTIFICATION OF PARTS SEE PAGE 10**

IF No.	PART No.	DESCRIPTION	3T	5T	T100	6T
1	E1595	Patent plate ... ..	—	1	—	—
2	E1678	" " ... ..	—	—	1	—
3	E1891	" " ... ..	—	—	—	—
4	E2909	" " ... ..	—	—	—	1
5	D208-5	Screw, hammer driver ... ..	3	3	3	3
6	E1049	" timing gear cover (long) ... ..	2	3	3	3
7	E427	" " " " (medium) ... ..	2	7	7	7
8	E452	" " " " (short) ... ..	6	—	—	—

### TIMING GEAR

9	E1472	Pinion, timing ... ..	—	1	1	1
10	E1771	" " ... ..	1	—	—	—
11	E1580	Key, timing pinion ... ..	1	1	1	1
12	E398	Nut, " " ... ..	1	1	1	1
13	E2302	Camshaft, inlet or exhaust ... ..	—	2	2	2
14	E2266	" " " " ... ..	2	—	—	—
15	E1486	Wheel, " " " camshaft ... ..	2	2	2	2
16	E1558	Key, camshaft wheel ... ..	2	2	2	2
17	E1492	Nut, " " exhaust ... ..	1	1	1	1
18	E1463	" " " inlet ... ..	1	1	1	1
19	E1471	Wheel, intermediate gear ... ..	—	1	1	1
20	E2202	" " " " ... ..	1	—	—	—
21	E400	Bush, " " wheel ... ..	1	1	1	1
22	E375	Spindle, " " " ... ..	1	1	1	1
23	E1992	Gear, magneto c.w auto advance (B.T.H.) ... ..	1	1	1	1
24	47502A	" " " " " (Lucas) ... ..	1	1	1	1
25	E2451	Pinion, dynamo ... ..	1	1	1	1

### CRANKCASE BREATHER

26	E2254	Valve, crankcase rotary ... ..	1	1	1	1
27	GS87	Disc, " " valve ... ..	1	1	1	1
28	E2256	Spring, " " " ... ..	1	1	1	1
29	E2724	Pipe, " " breather ... ..	1	1	1	1

### TAPPET AND TAPPET BLOCK

30	E1478	Tappet ... ..	4	4	4	4
31	E1477	Block, tappet ... ..	—	2	2	2
32	E1837	" " ... ..	2	—	—	—
33	H200	Lock screw, tappet block ... ..	2	2	2	2
34	E2312	Washer, tappet block ... ..	2	2	2	2

### PUSH ROD

35	E1693	Rod, push ... ..	—	4	4	4
36	E1785	" " ... ..	4	—	—	—

### PUSH ROD COVER TUBE

37	E1505	Tube, push rod cover ... ..	—	2	2	2
38	E1838	" " " " ... ..	2	—	—	—
39	E1496	Washer, push rod cover lower seal ... ..	—	2	2	2
40	E2425	" " " " " " " " ... ..	2	—	—	—
41	E1497	" " " " upper " " ... ..	2	2	2	2

**ALWAYS QUOTE PART NUMBERS**



REF. No.      PART No.      DESCRIPTION      3T      5T      T100      6T

**OVERHEAD ROCKER GEAR**

1	E1461	Box, inlet rocker	...	—	1	—	1
2	E1461T	" " "	...	—	—	1	—
3	E1462	" exhaust rocker	...	—	1	—	1
4	E1462T	" " "	...	—	—	1	—
5	E1650	Gasket, rocker box to cylinder head	...	—	4	4	4
6	E1540	Stud, " " " " "	...	—	4	4	4
7	F879	Nut, " " " " "	...	—	4	4	4
8	E1564	Cap, " " inspection	...	—	4	4	4
9	E1779	" " " " "	...	2	—	—	—
10	E2423	Dowel, " " " " "	...	2	—	—	—
11	E1S77	Washer, " " " cap	...	—	4	4	4
12	E1780	" " " " " "	...	2	—	—	—
13	E1912	Nut, " " " " "	...	2	—	—	—
14	PT104B	Washer, " " " (fibre)	...	2	—	—	—
15	E1S45	Screw, " " " " "	...	—	4	4	4
16	525-13	Washer, " " screw	...	—	4	4	4
17	E1457	Rocker, valve R.H.	...	—	2	2	2
18	E1755	" " " " " "	...	2	—	—	—
19	E1458	" " L.H.	...	—	2	2	2
20	E1756	" " " " " "	...	2	—	—	—
21	E1483	Pin, valve rocker ball	...	4	4	4	4
22	E1S13	" " " adjusting	...	4	4	4	4
23	E470	Nut, " " " pin	...	4	4	4	4
24	E1330	Washer, valve rocker thrust $\frac{3}{8}$ "	...	2	2	2	2
25	E1575	" " " " " $\frac{1}{2}$ "	...	6	6	6	6
26	E1574	" " " " " thackeray	...	4	4	4	4
27	E1512	Spindle, " " " " "	...	—	2	2	2
28	E1813A	" " " " " "	...	2	—	—	—
29	E1435	Nut, " " " spindle	...	2	2	2	2
30	E1335	Washer, " " " nut	...	4	4	4	4

**ROCKER OIL FEED AND DRAIN PIPES**

31	E1937A	Pipe, rocker oil feed	...	—	1	1	1
32	E1781	" " " " "	...	1	—	—	—
33	E1947	Connection, pipe (rubber)	...	1	1	1	1
34	XA69	Clip, pipe securing	...	5	5	5	5
35	GS272	Pipe, rocker drain inlet	...	—	1	1	1
36	GS273	" " " exhaust	...	—	1	1	1
37	E1335	Washer, rocker drain copper	...	—	8	8	8
38	E1601	Adaptor, " " at cylinder head	...	—	4	4	4
39	F1880	Washer, " " copper	...	—	4	4	4
40	E984	Adaptor, " " at cover tube	...	—	2	2	2

**ENGINE SPROCKET AND SHOCK ABSORBER**

41	E2826F	Sprocket, engine 19T (sidecar)	...	—	1	1	—
42	E2826F	" " 19T (solo)	...	1	—	—	—
43	E2826C	" " 22T (solo)	...	—	1	1	—
44	E2826D	" " 21T (sidecar)	...	—	—	—	1
45	E2826A	" " 24T (solo)	...	—	—	—	1

**WHEN IN DOUBT SEND SAMPLE**

REF. No.	PART No.	DESCRIPTION	3T	5T	T100	6T	
1	E2826H	Sprocket, engine 17T ... ..		As required			
2	E2826G	.. .. 18T ... ..		"	"		
3	E2826E	.. .. 20T ... ..		"	"		
4	E2826B	.. .. 23T ... ..		"	"		
5	E2826	.. .. 25T ... ..		"	"		
6	E1681	Slider, shock absorber ... ..	1	1	1	1	
7	E1521	.. .. " .. ..	1	1	1	1	
8	E2912	Sleeve, .. ..	—	1	1	1	
9	E659	Spring, .. ..	1	—	—	—	
10	E396	Collar, .. .. spring	1	1	1	1	
11	E509	Nut, .. .. sleeve	1	1	1	1	
12	E1732	Washer, engine sprocket distance ... ..	1	—	—	—	

## EXHAUST SYSTEM GROUP

### EXHAUST PIPE

13	E1520	Pipe, exhaust N.S. ... ..	—	1	1	1
14	E2236A	.. .. N.S. ... ..	1	—	—	—
15	E1519	.. .. O.S. ... ..	—	1	1	1
16	E2237A	.. .. O.S. ... ..	1	—	—	—
17	E1269	Clip, exhaust pipe to cylinder head ... ..	—	2	2	2
18	E2269	.. .. " " " " " " ... ..	2	—	—	—
19	E409	Bolt, .. .. clip ... ..	2	2	2	2
20	E410A	Washer, .. .. bolt ... ..	2	2	2	2

### SILENCER

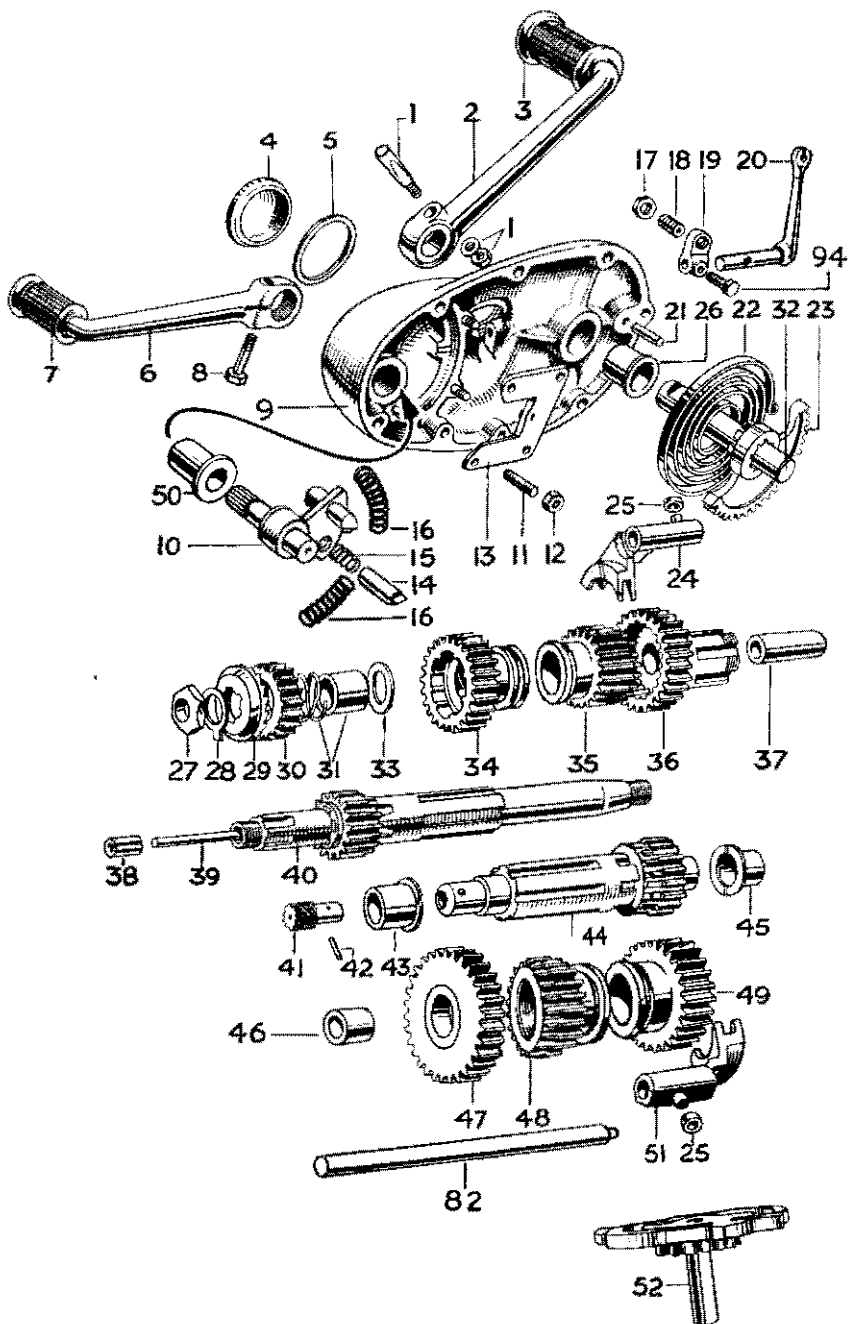
21	E1568	Silencer N.S. ... ..	—	1	1	1
22	E2646	.. .. " .. ..	1	—	—	—
23	E1567	.. .. " .. ..	—	1	1	1
24	E2647	.. .. " .. ..	1	—	—	—
25	E688	Bolt, silencer hanger ... ..	—	2	2	2
26	H570	.. .. " .. ..	2	—	—	—
27	T224	Nut, .. .. bolt ... ..	2	2	2	2
28	F1335	Washer, .. .. N.S. ... ..	1	—	—	—
29	TE246	Clip, silencer to exhaust pipe ... ..	—	2	2	2
30	E2271	.. .. " " " " " " ... ..	2	—	—	—
31	TE164E	Bolt, .. .. " " " " clip ... ..	2	2	2	2
32	TE164C	"D" nut, silencer to exhaust pipe clip ... ..	2	2	2	2
33	TE164D	"D" washer, silencer to exhaust pipe clip ... ..	2	2	2	2

ALWAYS QUOTE ENGINE NUMBER AND PREFIX

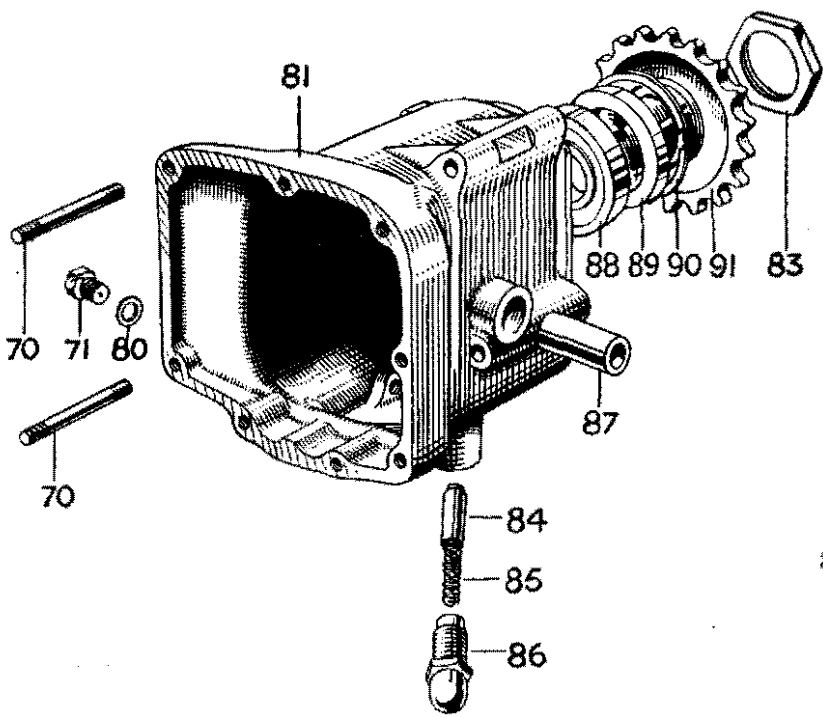
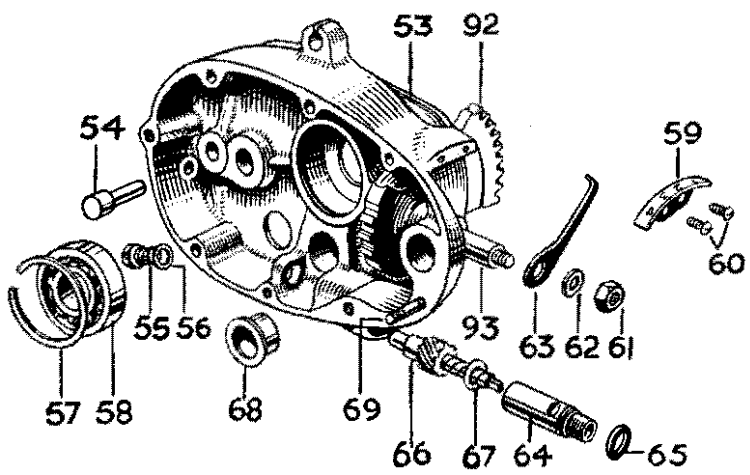
# GEARBOX GROUP

REF No.	PART No.	DESCRIPTION	3T	5T	T100	6T
<b>GEARBOX CASING</b>						
1	T909	Casing with bushes, gearbox ... ..	1	1	1	1
2	T989	Dowel, casing to inner cover ... ..	2	2	2	2
3	E698	Stud, gearbox casing to outer cover ... ..	2	2	2	2
4	S1-51	Nut, .. .. stud ... ..	2	2	2	2
5	S25-3	Washer, .. ..	2	2	2	2
6	T935	Cover with bushes, gearbox outer ... ..	1	1	1	1
7	T452	Screw, outer cover to casing (long) ... ..	1	1	1	1
8	ES73	" " " " " " " " " " " " " " " "	1	1	1	1
9	E427	" " " " inner cover ... ..	2	2	2	2
10	E1049	" " " " " " " " (long) ... ..	1	1	1	1
11	T931	Cover with bushes, gearbox inner ... ..	1	1	1	1
12	T323A	Stud, gearbox inner cover to outer cover ... ..	1	1	1	1
13	S1-51	Nut, .. .. " " " " " " " " " " " " " " " "	1	1	1	1
14	S25-3	Washer, .. .. " " " " " " " " " " " " " " " "	1	1	1	1
15	E329	Screw, .. .. " " " " " " " " " (long) ... ..	1	1	1	1
16	E427	Screw, .. .. " " " " " " " " " " " " " " " "	3	3	3	3
17	T45	Stop, kickstarter quadrant ... ..	1	1	1	1
18	T912	Peg, layshaft bush inner cover ... ..	1	1	1	1
19	T400	Cap, gearbox oil filler ... ..	1	1	1	1
20	NT376	Washer, .. .. " " " " joint ... ..	1	1	1	1
21	S46-15	Plug, gearbox drain and inner cover level ... ..	2	2	2	2
22	PT104B	Washer, .. .. " " " " " " " " " " " " " " " "	2	2	2	2
<b>GEARBOX FITTINGS</b>						
23	T717	Plate, gearbox mounting clamp ... ..	2	2	2	2
24	T456	Stud, .. . clamp tie ... ..	2	2	2	2
25	S1-51	Nut, .. .. " " " " stud ... ..	3	3	3	3
26	T461	Nut, .. .. " " " " " " " " " " " " " " " "	1	1	1	1
27	S26-3	Washer, .. .. " " " " " " " " " " " " " " " "	2	2	2	2
28	F1681	Bolt, .. .. " " " " pin ... ..	1	1	1	1
29	S4-13	Nut, .. .. " " " " bolt ... ..	1	1	1	1
30	S25-8	Washer, .. .. " " " " " " " " " " " " " " " "	1	1	1	1
31	T430	Bolt, .. .. " " " " pivot ... ..	—	1	1	1
32	F2391	Bolt, .. .. " " " " " " " " " " " " " " " "	1	—	—	—
33	F1126	Nut, .. .. " " " " bolt ... ..	1	—	—	—
34	S26-1	Washer, .. .. " " " " " " " " " " " " " " " "	1	1	1	1
35	T275	Adjuster assembly, primary chain ... ..	1	1	1	1
<b>SHAFTS AND GEARS</b>						
36	T914	Mainshaft and low gear (16T) ... ..	1	1	1	1
37	PT108B	Bush, mainshaft for clutch rod ... ..	1	1	1	1
38	S66-1	Woodruff key No. 6 ... ..	1	1	1	1
39	T421	Nut, clutch to mainshaft ... ..	1	1	1	1
40	T420	Washer, .. .. " " " " plain ... ..	1	1	1	1
41	T542	Washer, .. .. " " " " lock ... ..	1	1	1	1

**ALL GOODS SENT TO WORKS MUST BE CARRIAGE PAID**



TRIUMPH FOUR -



- SPEED GEARBOX

# GEARBOX

## INDEX TO ILLUSTRATIONS ON PAGES 36 AND 37

Illust. No.	Part No.	Page	Ref.	Illust. No.	Part No.	Page	Ref.
1	S.52-1	40	11	43	T.911	39	15
2	T.451	40	9	44	T.921	39	5
3	F.1814	40	10	45	T.911	39	15
4	T.400	35	19	46	T.928	39	9
5	NT.376	35	20	47	T.926	39	8
6	T.398	39	41	48	T.930	39	6
7	T.449	40	2	49	T.929	39	7
8	T.450	40	1	50	T.57	39	20
9	T.935	35	6	51	T.913	39	32
10	T.408.9	39	38	52	T.500	39	26
11	T.454	39	35	53	T.931	35	11
12	F.879	39	36	54	T.45	35	17
13	T.407	39	34	55	5.46-15	35	21
14	T.406	39	39	56	PT.104B	35	22
15	T.405	39	40	57	T.280	39	14
16	T.404	40	3	58	5.35-7	39	13
17	T.453	42	10	59	T.396	40	7
18	T.413	42	9	60	D.208-17	40	8
19	T.402	42	6	61	T.224	40	5
20	T.487	42	4	62	5.25-3	40	6
21	T.47	40	13	63	T.395	40	4
22	T.31	40	12	64	T.933	79	21
23	T.25A	40	14	65	T.948	79	22
24	T.260B	39	31	66	T.934	79	18
25	NT.261	39	27	67	T.825	79	20
26	T.23	39	21	68	T.412	39	19
27	NT.297	40	19	69	T.323A	35	12
28	T.732	40	20	70	E.698	35	3
29	T.731	40	17	71	5.46-15	35	21
30	T.730	40	16	80	PT.104B	35	22
31	T.488.28	40	18	81	T.909	35	1
32	T.24A	40	15	82	T.291	39	33
33	T.505	40	21	83	T.440	40	23
34	T.917	39	3	84	T.501	39	28
35	T.916	39	4	85	T.373	39	30
36	T.918	39	1	86	T.372	39	29
37	T.920	39	2	87	T.341	39	18
38	PT.108B	35	37	88	T.448	39	10
39	T.455	42	11	89	T.946	39	11
	T.455A	42	12	90	T.489	39	12
	T.455B	42	13	91	T.471A	40	22
40	T.914	35	36	92	T.397	39	24
41	T.924	79	15	93	T.399	39	25
42	T.925	79	17				

REF. No.	PART No.	DESCRIPTION	3T	5T	T100	6T
1	T918	Gear, mainshaft high (26T) ... ..				
2	T920	Bush, " " gear ... ..				
3	T917	Gear, " 3rd (24T) ... ..				
4	T916	Gear, " 2nd (20T) ... ..				
5	T921	Layshaft c/w high gear (20T) and speedo gear				
6	T930	Gear, layshaft 3rd (22T) ... ..				
7	T929	Gear, " 2nd (26T) ... ..				
8	T926	Gear, " low (30T) ... ..				
9	T928	Bush, " " gear <i>SAME TELL</i> ... ..				

### GEARBOX SHELL BEARINGS

10	T448	Bearing, high gear ... ..				
11	T946	Oil seal, " " bearing ... ..				
12	E489	Circlip, " " retaining ... ..				
13	S35-7	Bearing, mainshaft ... ..				
14	T280	Circlip, " bearing ... ..				
15	T911	Bush, layshaft casing and inner cover ...	2	2	2	2
16	T912	Peg, layshaft bush ... ..	2	2	2	2
17	T981	Disc, layshaft bush ... ..				
18	T341	Bush, gear selector camplate ... ..				
19	T412	Bush, footchange spindle inner ... ..				
20	T57	Bush, " " outer ... ..				
21	T23	Bush, kickstarter outer ... ..				
22	T933	Bush, speedo gear inner cover ... ..				
23	T948	Washer, speedo gear inner cover sealing ...				

### GEAR CONTROL (SELECTOR MECHANISM)

24	T397	Quadrant, gear operating ... ..				
25	T399	Spindle, " " quadrant ... ..				
		Split pin 1½" by ¼" dia. ... ..				
26	T500	Camplate, gear control ... ..				
27	NT261	Roller, " " camplate ... ..	2	2	2	2
28	TS01	Plunger, " " " ... ..				
29	T372	Bush, " " " plunger ... ..				
30	T373	Spring, " " " " ... ..				
31	T2608	Fork, gear selector mainshaft ... ..				
32	T913	Fork, " " layshaft ... ..				
33	T291	Rod, " " fork ... ..				

### GEAR CONTROL (ENCLOSED FOOTCHANGE)

34	T407	Plate, footchange guide ... ..				
35	T454	Stud, " " plate ... ..	4	4	4	4
36	F879	Nut, " " " stud ... ..	4	4	4	4
37	E2312	Washer, " " " " ... ..	4	4	4	4
38	T408/9	Plunger assembly, gear quadrant ... ..				
39	T406	Plunger, gear quadrant ... ..	2	2	2	2
40	T405	Spring, " " plunger ... ..	2	2	2	2
41	T398	Pedal, footchange ... ..				

WHEN IN DOUBT SEND SAMPLE

REF. No.	PART No.	DESCRIPTION	3T	5T	T100	6T
1	T450	Set screw, footchange pedal ... ..	1	1	1	1
2	T449	Rubber, " " ... ..	1	1	1	1
3	T404	Spring, " " return ... ..	2	2	2	2
4	T395	Spring, gear indicator ... ..	1	1	1	1
5	T224	Nut, " " ... ..	1	1	1	1
6	S25-3	Washer, " " ... ..	1	1	1	1
7	T396	Quadrant, gear indicator ... ..	1	1	1	1
8	D208-17	Pin, quadrant fixing ... ..	2	2	2	2

### KICKSTARTER

9	T451	Crank, kickstarter ... ..	1	1	1	1
10	F1814	Rubber, " crank ... ..	1	1	1	1
11	S52-1	Cotter pin c/w nut and washer ... ..	1	1	1	1
12	T31	Spring, k/s crank return ... ..	1	1	1	1
13	T47	Peg, " anchor ... ..	1	1	1	1
14	T25A	Quadrant, kickstarter ... ..	1	1	1	1
15	T24A	Shaft, kickstarter axle ... ..	1	1	1	1
16	T730	Pinion, " ... ..	1	1	1	1
17	T731	Ratchet, kickstarter ... ..	1	1	1	1
18	T488/28	Sleeve and spring, pinion ... ..	1	1	1	1
19	NT297	Nut, kickstarter ratchet ... ..	1	1	1	1
20	T732	Washer, " lock ... ..	1	1	1	1
21	T505	Washer, " plain ... ..	1	1	1	1

### GEARBOX SPROCKET

22	T471A	Sprocket, gearbox ... ..	1	1	1	1
23	T440	Nut, gearbox sprocket locking ... ..	1	1	1	1

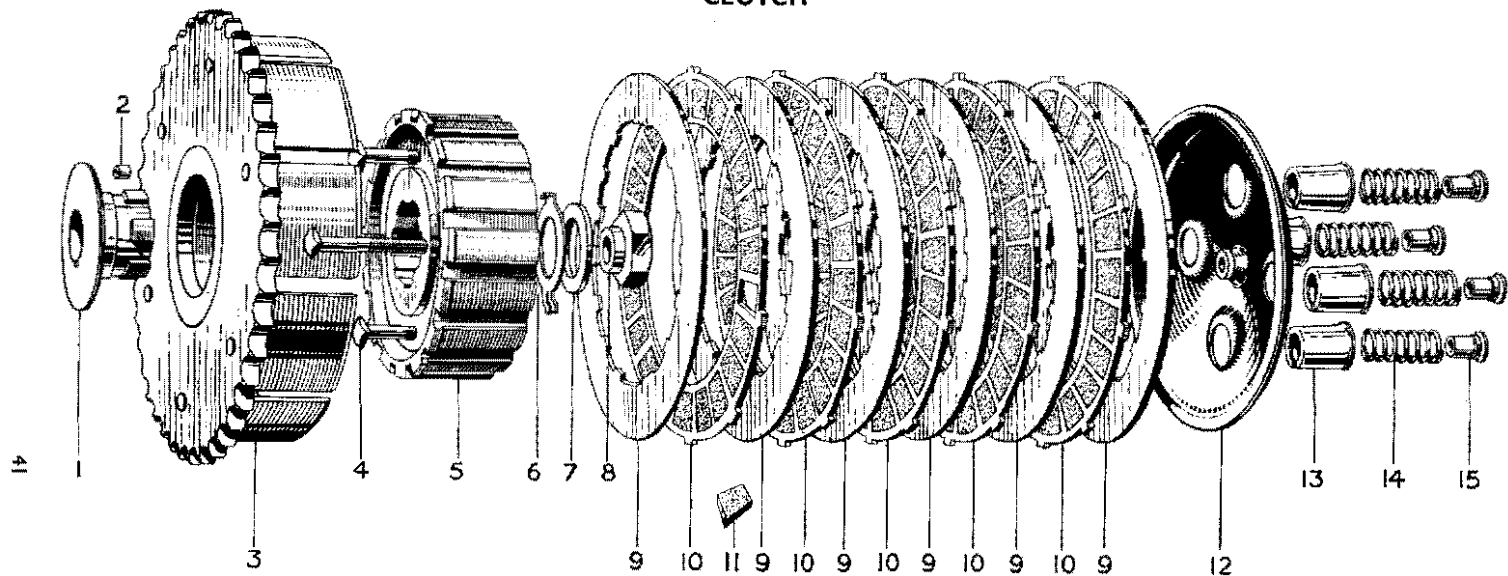
### CLUTCH

24	T938	Clutch assembly ... ..	—	1	1	—
25	T937	" " ... ..	1	—	—	—
26	T984	" " ... ..	—	—	—	1
27	T940	Housing, clutch sprocket with ... ..	—	1	1	—
28	T939	" " " " ... ..	1	—	—	—
29	T985	" " " " ... ..	—	—	—	1
30	T394	Rollers, " housing ... ..	20	20	20	20
31	T417	Centre, clutch ... ..	—	1	1	—
32	T417A	Centre, " ... ..	1	—	—	—
33	T872	Centre, " ... ..	—	—	—	1
34	T418	Hub, " ... ..	1	1	1	1
35	T414	Plate, clutch driving corked ... ..	3	4	4	5
36	NT288	Cork, insert ... ..	72	96	96	120
37	T415	Plate, clutch driven ... ..	4	5	5	6
38	T429	Spring, clutch pressure ... ..	4	4	4	4
39	T423	Pin, " " spring ... ..	—	4	4	—
40	T424	Pin, " " " ... ..	4	—	—	—
41	T423A	Pin, " " " ... ..	—	—	—	4
42	T427	Nut, " " " pin ... ..	4	4	4	4

ALL GOODS SENT TO WORKS MUST BE CARRIAGE PAID



# CLUTCH



Illust. No.	Part No.	Page	Ref.	Illust. No.	Part No.	Page	Ref.
1	T.418	40	34	6	T.542	35	41
2	T.394	40	30	7	T.420	35	40
3	T.938	40	24	8	T.421	35	39
	T.937	40	25	9	T.415	40	37
	T.984	40	26	10	T.414	40	35
	T.423	40	39	11	NT.288	40	36
4	T.424	40	40	12	T.986	42	2
	T.423A	40	41	13	T.425	42	1
	T.417	40	31	14	T.429	40	38
	T.417A	40	32	15	T.427	40	42
	T.872	40	33				

EF. No.	PART No.	DESCRIPTION	3T	5T	T100	6T
1	T425	Cup, clutch pressure spring ... ..	4	4	4	4
2	T986	Plate, clutch pressure c/w button ... ..	1	1	1	1
3	T422	Button, .. .. plate ... ..	1	1	1	1

### CLUTCH CONTROL

4	T487	Lever, clutch operating ... ..	1	1	1	1
5	T495	Cap, .. .. lever rubber ... ..	1	1	1	1
6	T402	Arm, .. .. .. ..	1	1	1	1
7	T401	Peg, .. .. .. ..	1	1	1	1
8	E2312	Washer, .. .. .. peg ... ..	1	1	1	1
9	T413	Pin, .. lever adjusting ... ..	1	1	1	1
10	T453	Nut, .. .. .. lock ... ..	1	1	1	1
11	T455	Rod, .. .. operating ... ..	—	1	1	—
12	T455A	Rod, .. .. .. ..	1	—	—	—
13	T455B	Rod, .. .. .. ..	—	—	—	1
14	PT108B	Bush, .. rod to mainshaft ... ..	1	1	1	1

### WIDE RATIO GEAR GROUP

15	T969	Gear, mainshaft high 28T ... ..	1	1	1	1
16	T968	Gear, .. 2nd 19T ... ..	1	1	1	1
17	T920	Bush, .. high gear ... ..	1	1	1	1
18	T971	Gear, layshaft high 18T (c/w speedo gear) ... ..	1	1	1	1
19	T974	Gear, .. 2nd 27T ... ..	1	1	1	1

### CLOSE RATIO GEAR GROUP

20	T995	Mainshaft and low gear 18T ... ..	1	1	1	1
21	PT108	Bush, mainshaft for clutch rod ... ..	1	1	1	1
22	T957	Gear, .. high 24T ... ..	1	1	1	1
23	T955	Gear, .. 2nd 21T ... ..	1	1	1	1
24	T956	Gear, .. 3rd 23T ... ..	1	1	1	1
25	T920	Bush, .. high ... ..	1	1	1	1
26	T961	Gear, layshaft low 28T ... ..	1	1	1	1
27	T959	Gear, .. high 18T ... ..	1	1	1	1
28	T963	Gear, .. 2nd 25T ... ..	1	1	1	1
29	T964	Gear, .. 3rd 23T ... ..	1	1	1	1
30	T928	Bush, .. low ... ..	1	1	1	1

SEE PAGE 93 FOR GEAR RATIOS

## FRAME GROUP

REF. No.	PART No.	DESCRIPTION	3T	5T	T100	6T
<b>FRONT PORTION</b>						
1	F2938	Frame, front portion ... ..	—	1	1	1
2	F2385	Frame, " " " " " " " " " "	1	—	—	—
3	F1561	Stud, seat lug to back stays ... ..	—	1	1	1
4	E1023	Stud, " " " " " " " " " "	1	—	—	—
5	PO172A	Nut, " " " " " " " " " "	2	2	2	2
6	S26-1	Washer, seat lug to back stays stud ... ..	2	2	2	2
7	F994	Stud, frame to chain stay seat tube ... ..	1	1	1	1
8	S1-30	Nut, " " " " " " " " " "	2	2	2	2
9	SCZ45	Washer, frame to chain stay seat tube stud ... ..	2	2	2	2
10	F1841	Support, petrol tank front ... ..	—	1	1	1
11	F1451	Bolt, " " " " support ... ..	—	1	1	1
12	S1-S2	Nut, " " " " " " " " " "	—	1	1	1
13	F3038	Support, " " rear ... ..	—	1	1	1
14	F2687	Bolt, " " " " support ... ..	—	2	2	2
15	S26-3	Washer, " " " " " " " " " "	—	2	2	2
16	NW100	Lubricator, steering column race ... ..	1	1	1	1

SEE FRONT FORK GROUP FOR HEAD LUG STEERING RACES

### REAR PORTION

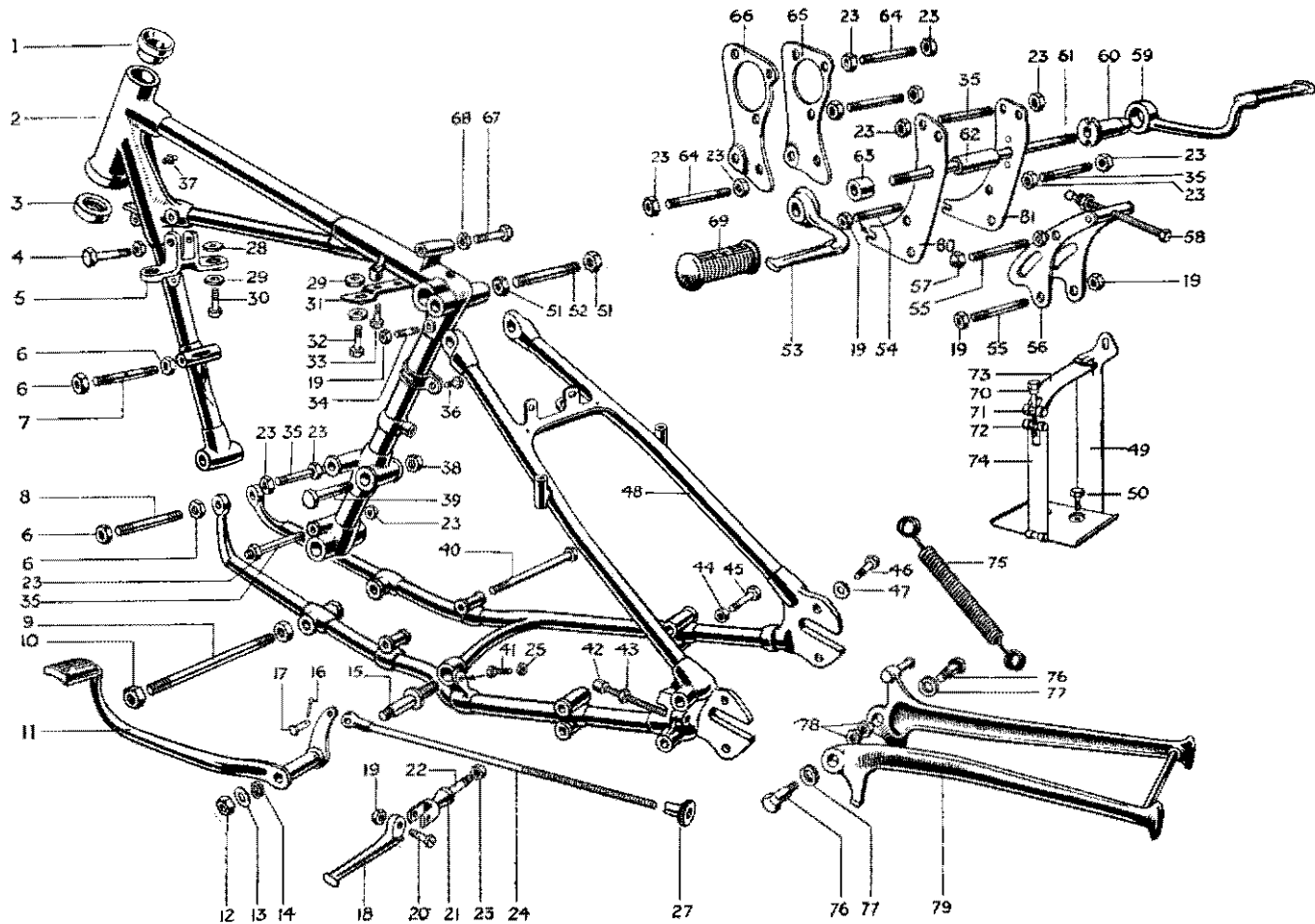
17	F3102	Frame, rear portion c/w prop stand lug ... ..	—	1	1	1
18	F3100	Frame, " " " " " " " " " "	1	—	—	—
19	F969	Screw, rear chain adjuster ... ..	2	2	2	2
20	F1008	Locknut, " " " " screw ... ..	2	—	—	—
21	F1824	Locknut " " " " " " " " " "	—	2	2	2

### TORQUE BRACKET GROUP

22	E1597	Stay, engine to frame torque clip ... ..	—	2	2	2
23	F2380	Bracket, " " " " " " " " " "	1	—	—	—
24	E1598	Clip, torque stay to frame ... ..	—	1	1	1
25	F2381	Clip, " " bracket ... ..	1	—	—	—
26	F1031	Bolt, " " bracket clip ... ..	—	1	1	1
27	DS55	Bolt, " " bracket ... ..	1	—	—	—
28	PO172A	Nut, " " stay clip ... ..	—	1	1	1
29	S1-S1	Nut, " " bracket ... ..	1	—	—	—
30	S25-3	Washer, torque stay clip ... ..	—	1	1	1
31	S26-3	Washer, " " bracket ... ..	—	1	—	—
32	S1-S2	Nut, " " stay to engine bolt ... ..	—	2	2	2
33	S26-1	Washer, " " " " " " " " " "	—	2	2	2

FIGURE IN MODEL COLUMN DENOTES QUANTITY PER MACHINE

# FRAME AND COMPONENTS 5T, T100 AND 6T

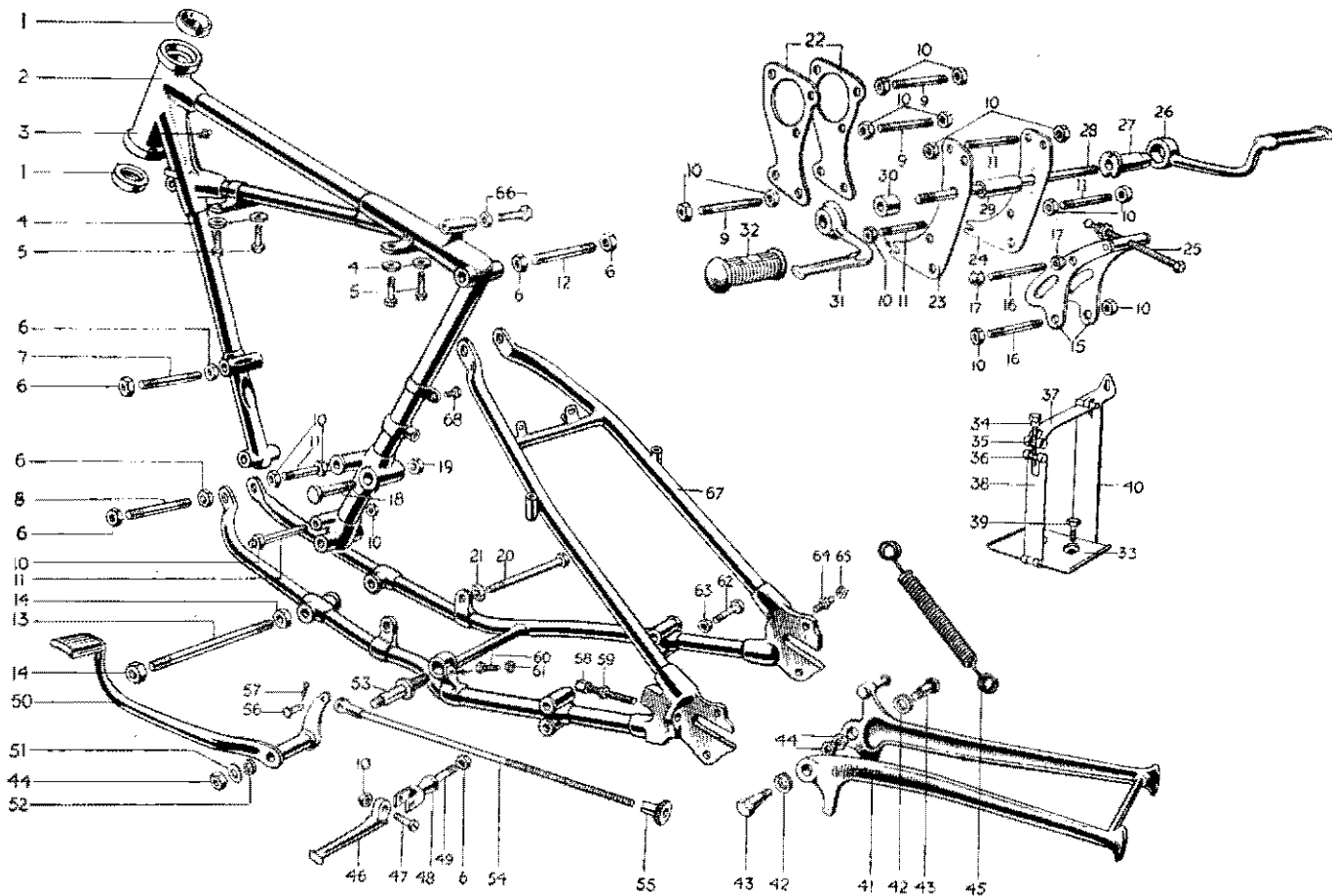


## INDEX TO ILLUSTRATION ON PAGE 44

Illust. No.	Part No.	Page	Ref.	Illust. No.	Part No.	Page	Ref.
1	H.437	51	20	42	F.969	43	19
2	F.2938	43	1	43	F.1824	43	21
3	H.111	51	21	44	T.224	34	27
4	F.1451	43	11	45	E.688	34	25
5	F.1841	43	10	46	E.579	64	4
6	DS.47	48	13	47	S.26-2	64	5
7	F.2414	48	11	48	F.3102	43	17
8	F.1680	48	17	49	F.2876	48	35
9	F.994	43	7	50	F.1715	48	45
10	S.1-30	43	8	51	PO.172A	43	5
11	F.1153	73	15	52	F.1561	43	3
12	S.1-51	73	22	53	F.987	73	33
13	S.25-2	73	23	54	F.839	48	29
14	S.26-16	73	24	55	T.456	35	24
15	F.867	73	19	56	T.717	35	23
16	1/16" Split Pin			57	T.461	35	26
17	WF.32	73	29	58	T.275	35	35
18	F.1694	74	8	59	F.1731	73	32
19	S.1-51	74	11	60	F.1736	73	35
20	F.2271	74	10	61	F.991	74	1
21	F.2268	74	13	62	F.862	74	6
22	F.1696	74	14	63	T.87	66	3
23	PO.172A	74	15	64	F.1711	48	23
24	F.1015A	73	26	65	E.2223	48	2
	F.1015B	73	27	66	E.2222	48	1
27	NS.372	73	31	67,8	NA.64J	74	32
28	F.1813	67	40	69	NF.704	73	34
29	F.967	69	3	70	E.536	48	39
30	F.1808	69	1	71	E.534	48	37
31	F.3038	43	13	72	E.535	48	38
32	F.966	67	41	73	F.1667	48	40
33	F.2687	43	14	74	F.1668	48	41
34	F.1682	70	1	75	F.975A	53	9
35	F.839	48	29	76	F.977	53	10
36	F.929	69	16	77	F.976	53	12
37	NW.100	43	16	78	W.630	53	11
38	S.4-13	35	29	79	F.1834	53	8
39	F.1681	35	28	80	F.1811	48	4
40	T.436	35	31	81	F.1811A	48	5
41	F.1149	73	17				

FOR IDENTIFICATION OF PARTS SEE PAGE 10 FOR INSTRUCTIONS

# FRAME AND COMPONENTS 3T



**INDEX TO ILLUSTRATION ON PAGE 46**

Illust. No.	Part No.	Page	Ref.	Illust. No.	Part No.	Page	Ref.
1	XS.10	51	19	36	E.535	48	38
2	F.2385	43	2	37	F.1667	48	40
3	NW.100	43	16	38	F.1668	48	41
4	F.967	69	3	39	F.1715	48	45
5	F.966	67	41	40	F.2877/8	48	36
6	PO.172A	48	14	41	F.1834	53	8
7	E.1023	48	12	42	F.976	53	12
8	F.1711	48	18	43	F.977	53	10
9	E.925	48	24	44	W.630	53	11
10	S.1-51	48	26	45	F.975A	53	9
11	E.654	48	30	46	F.1694	74	8
12	E.1023	43	4	47	F.2271	74	10
13	F.994	43	7	48	E.2268	74	13
14	S.1-30	43	8	49	F.1696	74	14
15	T.717	35	23	50	F.1153	73	15
16	T.456	35	24	51	S.25-2	73	23
17	T.461	35	26	52	S.26-16	73	24
18	F.1681	35	28	53	F.867	73	19
19	S.4-13	35	29	54	F.1015	73	25
20	F.2391	35	32		F.1015C	73	28
21	F.1126	35	33	55	NS.372	73	31
22	F.2235	48	3	56	WF.32	73	29
23	F.2392	48	6	57	1/16" Split Pin		
24	F.2396	48	7	58	F.969	43	19
25	T.275	35	35	59	F.1008	43	20
26	F.1731	73	32	60	F.1149	73	17
27	F.1736	73	35	61	F.879	73	18
28	F.1092	74	2	62	H.570	34	26
29	F.1081	74	5	63	T.224	34	27
30	T.200	66	4	64	F.946	62	14
31	F.987	73	33	65	F.947	62	15
32	NF.704	73	34	66	NA.64J	74	32
33	F.2876	48	35	67	F.3100	43	18
34	E.536	48	39	68	F.2587	43	14
35	E.534	48	37				

**FOR IDENTIFICATION OF PARTS SEE PAGE 10 FOR INSTRUCTIONS**

## ENGINE PLATE GROUP

F. No.	PART No.	DESCRIPTION	3T	5T	T100	6T
1	E2222	Plate, engine front N.S.	—	1	1	1
2	E2223	Plate, " " O.S.	—	1	1	1
3	E2235	Plate, " " " " " "	2	—	—	—
4	F1811	Plate, " rear N.S.	—	1	1	1
5	F1811A	Plate, " " O.S.	—	1	1	1
6	F2392	Plate, " " N.S.	1	—	—	—
7	F2396	Plate, " " O.S.	1	—	—	—
8	F1117	Dowel, " " plate	2	2	2	2
9	F2275	Cover, " plate front	—	1	1	1
10	F2395	Cover, " " "	1	—	—	—
11	F2414	Stud, engine plate to frame front top	—	1	1	1
12	E1023	Stud, " " " " " " "	1	—	—	—
13	D547	Nut, " " " " " " stud	—	2	2	2
14	PO172A	Nut, " " " " " " "	2	—	—	—
15	PCW73A	Washer, " " " " " " "	—	2	2	2
16	S26-1	Washer, " " " " " " "	2	—	—	—
17	F1680	Stud, " " " " " " bottom	—	1	1	1
18	F1711	Stud, " " " " " " bottom	1	—	—	—
19	DS47	Nut, " " " " " " stud	—	2	2	2
20	PO172A	Nut, " " " " " " stud	2	—	—	—
21	PCW73A	Washer, " " " " " " stud	—	2	2	2
22	S26-1	Washer, " " " " " " "	2	—	—	—
23	F1711	Stud, " " " crankcase front	—	3	3	3
24	E925	Stud, " " " " " " "	3	—	—	—
25	PO172A	Nut, " " " " " " stud	—	6	6	6
26	S1-S1	Nut, " " " " " " "	6	—	—	—
27	S26-1	Washer, " " " " " " "	—	6	6	6
28	S25-3	Washer, " " " " " " "	6	—	—	—
29	F839	Stud, crankcase and frame rear	—	5	5	5
30	E654	Stud, " " " " " " "	5	—	—	—
31	PO172A	Nut, " " " " " " stud	—	10	10	10
32	S1-51	Nut, " " " " " " "	—	10	10	10
33	S26-1	Washer, " " " " " " "	—	10	10	10
34	S26-3	Washer, " " " " " " "	10	—	—	—

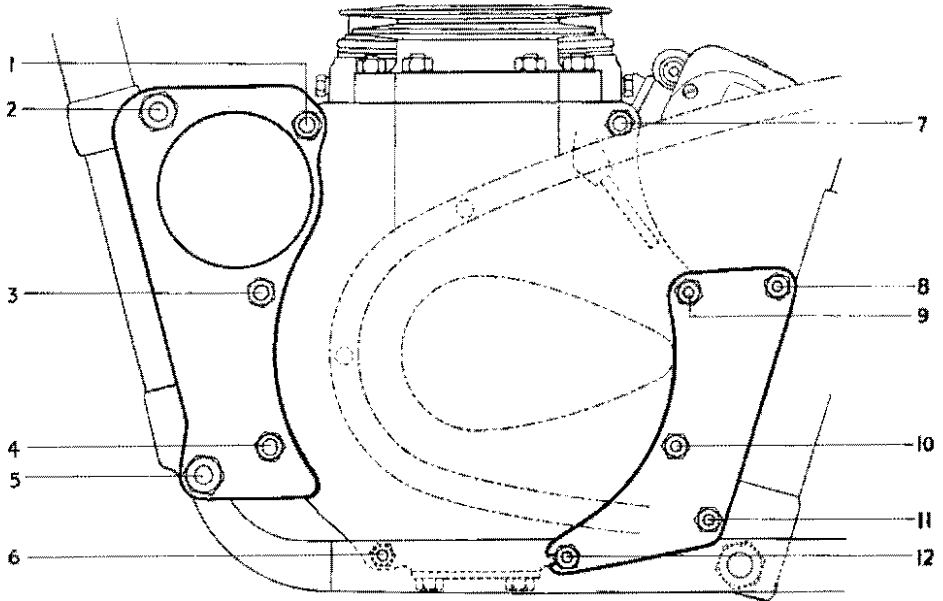
## BATTERY CARRIER GROUP

35	F2876	Carrier assembly, battery	1	1	1	1
36	F2877 B	Base and back assembly, carrier	1	1	1	1
37	E534	Swivel, carrier strap (plain hole)	1	1	1	1
38	E535	Swivel, " " (tapped hole)	1	1	1	1
39	E536	Bolt, " " swivel	1	1	1	1
40	F1667	Strap, " top	1	1	1	1
41	F1668	Strap, " front	1	1	1	1
42	F1727	Pin, " strap hinge	2	2	2	2
43	F1682	Stud, " to seat tube boss	1	1	1	1
44	S1-51	Nut, " " " " " stud	1	1	1	1
45	F1715	Bolt, " " primary cover	2	2	2	2

**ALWAYS QUOTE PART NUMBER**



## CRANKCASE FRAME STUDS, BOLTS AND WASHERS



### INDEX

#### 350 c.c.

1, 3, 4 & 6	E.925 S.1-51 S.2S-3	Stud. Nut. Washer.		5.	F.1711 PO.172A S.26-1	Stud. Nut. Washer.		8, 9, 10 11 & 12	E.654 S.1-51 S.26-3	Stud. Nut. Washer.
2.	E.1023 PO.172A S.26-1	Stud. Nut. Washer	7.	E.1555 S.2S-3	Bolt. Washer.					

#### 500 c.c. and 650 c.c.

1, 3, 4	F.1711 - PO.172A S.26-1	Stud. Nut. Washer.		5.	F.1680 - DS.47 PCW.73A	Stud. Nut. Washer.		7.	E.1555 S.2S-3	Bolt. Washer.
2.	F.2414 DS.47 PCW.73A	Stud. Nut. Washer.	6.	T.456 S.1-51 S.2S-3	Stud. Nut. Washer.			8, 9, 10 11 & 12	PO.172A F.839 S.26-1	Nut. Stud. Washer.

**FOR IDENTIFICATION OF PARTS SEE PAGE 10 FOR INSTRUCTIONS**

## FRONT FORK GROUP

EF. No.	PART No.	DESCRIPTION	3T	5T	T100	6T
<b>FRONT FORK ASSEMBLY</b>						
1	H709	Fork assembly ... ..	1	—	—	—
2	H692	" " " " " " " " " " " "	—	1	1	1
3	H663A	Lug, fork head top ... ..	1	1	1	1
4	F1760	Bolt, head top lug pinch ... ..	1	1	1	1
5	H379	Nut, " " " " " " " " " " " "	1	1	1	1
6	H660	"U" bolt, handlebar clamp ... ..	2	2	2	2
7	S25-3	Washer, " " " " " " " " " " " "	4	4	4	4
8	S1-51	Nut, " " " " " " " " " " " "	4	4	4	4
9	H695	Crown and stem, fork ... ..	1	1	1	1
10	H404	Nut, crown and stem sleeve ... ..	1	—	—	—
11	H405	Nut, " " " " " " " " " " " "	—	1	1	1
12	H570	Bolt, " " " " " " to stanchion pinch ...	2	2	2	2
13	H518	Nut, " " " " " " " " " " " " " " " "	2	2	2	2
14	S25-3	Washer, " " " " " " " " " " " " " " " "	2	2	2	2
15	H656	Cover, nacelle N.S. ... ..	1	1	1	1
16	H657	Cover, " O.S. ... ..	1	1	1	1
17	H618	Top unit, nacelle ... ..	1	1	1	1
18	H669	Grommet, handlebar rubber ... ..	2	2	2	2
19	H689	Screw, top unit to bottom unit ... ..	2	2	2	2
20	H691	Nut for H689 ... ..	2	2	2	2
21	E2880	Washer, for H691 ... ..	2	2	2	2
22	H623	Motif (flash) N.S. ... ..	1	1	1	1
23	H624	Motif " O.S. ... ..	1	1	1	1
24	H688	Screw, motif front ... ..	2	2	2	2
25	H691	Nut, " " " " " " " " " " " " " " " "	2	2	2	2
26	E2880	Washer, for H691 ... ..	2	2	2	2
27	H687	Screw, top unit to bottom unit ... ..	2	2	2	2
28	H420	Washer, cover tube felt ... ..	2	2	2	2
29	H414	Cover tube bottom, c/w wheel spindle lug N.S.	1	1	1	1
30	H415	Cover " " " " " " " " " " " " " " " "	1	1	1	1
31	H519	Plug, cover tube bottom drain ... ..	2	2	2	2
32	H430	Washer, cover tube bottom drain plug ...	2	2	2	2
33	F1760	Bolt, N.S. cover tube bottom wheel lug pinch	1	1	1	1
34	H379	Nut, N.S. cover tube bottom wheel lug bolt	1	1	1	1
35	H390	Sleeve, cover tube bottom dust excluder ...	2	2	2	2
36	H391	Washer, cover tube bottom dust excluder sleeve felt ... ..	2	2	2	2
37	H445	Washer, inner retaining for H391 ... ..	2	2	2	2
38	H431	Washer, outer " " " " " " " " " " " "	2	2	2	2
39	H441	Bearing, bottom cover tube ... ..	2	2	2	2
40	H382A	Stanchion ... ..	2	2	2	2
41	H519A	Plug, stanchion oil filler ... ..	2	2	2	2
42	H430	Washer, " " " " " " " " " " " " " " " "	2	2	2	2

**ALL GOODS SENT TO WORKS MUST BE CARRIAGE PAID**

REF. No.	PART No.	DESCRIPTION	3T	5T	T100	6T
1	H432A	Nut, stanchion upper sleeve cap	2	2	2	2
2	H443	Bearing, stanchion lower	2	2	2	2
3	H444	Nut, stanchion hydraulic stop	2	2	2	2
4	H385	Spring, main (identification mark white)	2	—	—	—
5	H384	Spring, " ( " " " red)	—	2	2	2
6	H505	Spring, " (sidecar identification mark blue)	—	2	2	2
7	H521A	Pressure tube assembly	1	1	1	1
8	H399A	Rod, oil restrictor	2	2	2	2
9	H452	Restrictor, oil	2	2	2	2
10	H453	Cup, oil restrictor rod	2	2	2	2
11	H454	Pin, " " " cup	2	2	2	2
12	F879	Nut, " " " "	2	2	2	2
13	H.394	Tube, pressure	2	2	2	2
14	H395	Body, pressure tube valve	2	2	2	2
15	H397	Sleeve, pressure tube support	2	2	2	2
16	H500	Pin, valve body	2	2	2	2
17	H398	Bolt, pressure valve body to lug	2	2	2	2
18	E1335	Washer, " " " " " bolt	2	2	2	2

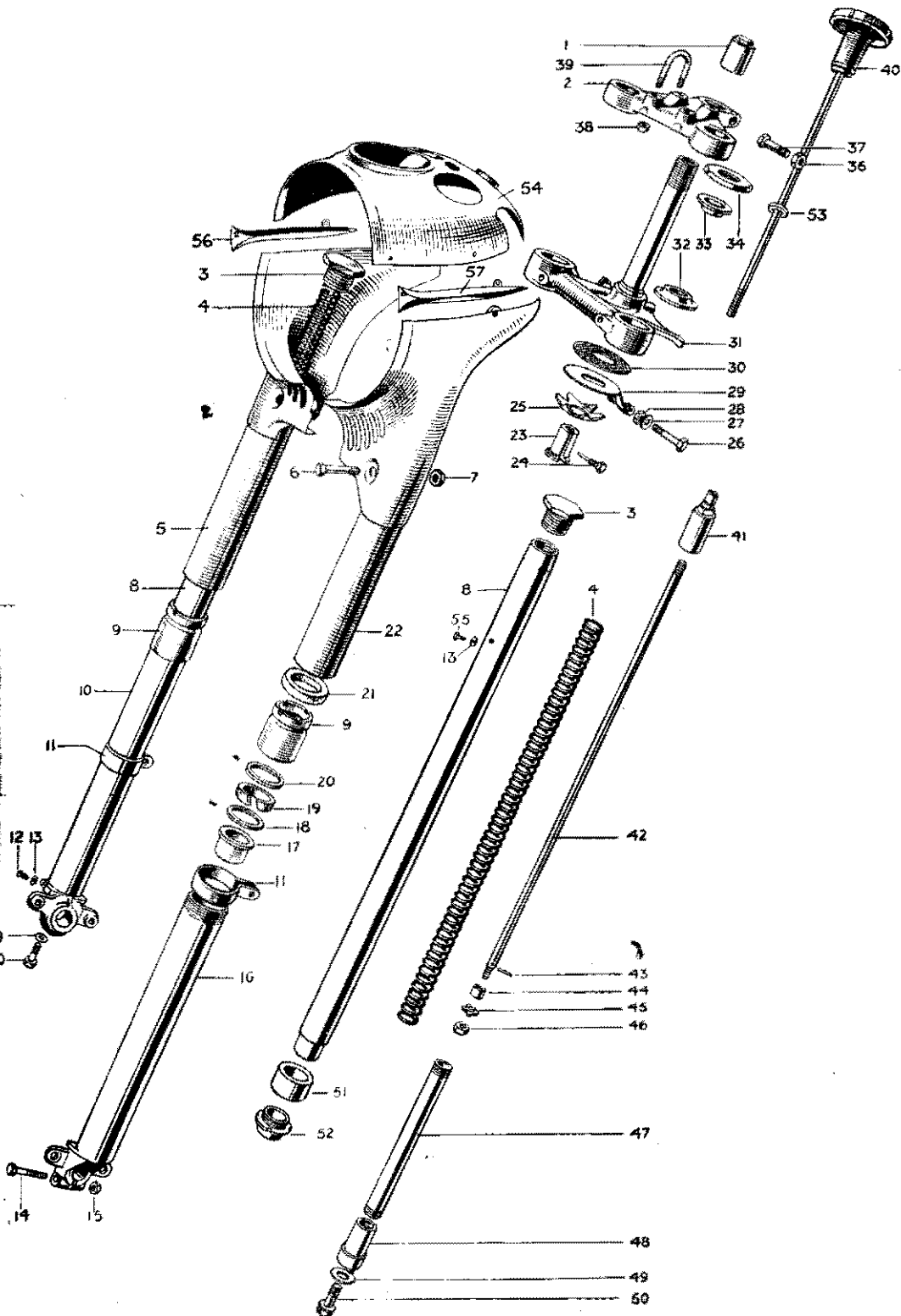
### STEERING CUPS, CONES AND BALLS

19	X510	<i>A1436</i> Cup, frame lug top	1	—	—	—
20	H437	Cup, " " " "	—	1	1	1
21	H111	Cup, " " " bottom	—	1	1	1
22	X510	<i>A1436</i> Cup, " " " "	1	—	—	—
23	H438	Cone, head lug top	—	1	1	1
24	H433	Cone, " " " "	—	—	—	—
25	H439	Cone, crown and stem, bottom	—	1	1	1
26	X58	<i>A1433</i> Cone, " " " "	1	—	—	—
27	S70-4	Ball, top race $\frac{3}{16}$ "	22	22	22	22
28	S70-3	Ball, bottom race $\frac{1}{4}$ "	—	20	20	20
29	S70-4	Ball, " " " "	22	—	—	—
30	H406	Cover, top cone dust	1	—	—	—
31	H407	Cover, " " " "	—	1	1	1

### STEERING DAMPER

32	H536	Knob, with rod	1	1	1	1
33	H565	Washer, rod	1	1	1	1
34	H408	Sleeve, rod adjusting	1	1	1	1
35	H409	Pin, securing sleeve	1	1	1	1
36	H413	Plate, damper anchor	—	1	1	1
37	H434	Plate, " " " "	1	—	—	—
38	F1718	Bolt, " " " plate	1	1	1	1
39	S1-51	Nut, " " " " bolt	1	1	1	1
40	S25-3	Washer, " " " "	1	1	1	1
41	H435	Disc, " " " friction	1	1	1	1
42	H95	Plate, friction disc spring	1	1	1	1

SEE PAGES 11 TO 17 FOR CARTON PACKS



TRIUMPH TELESCOPIC FORK

# STAND GROUP

REF. No.	PART No.	DESCRIPTION	3T	5T	T100	6T
<b>FRONT STAND</b>						
1	H412	Stand assembly, front ... ..	1	1	1	1
2	DS55	Bolt, front stand to guard ... ..	1	1	1	1
3	S1-51	Nut, " " " " " " " " " " " " " "	1	1	1	1
4	N5362	Nut, " " " " " " spigot ... ..	1	1	1	1
5	H424	Screw, " " " " " " pivot ... ..	2	2	2	2
6	S25-3	Washer, plain stand to guard pivot ... ..	2	2	2	2
7	H425	Washer, spring " " " " " " " " " "	2	2	2	2
<b>REAR STAND</b>						
8	F1834	Rear stand assembly ... ..	1	1	1	1
9	F975A	Spring, rear stand ... ..	1	1	1	1
10	F977	Bolt, " " " " " " pivot ... ..	2	2	2	2
11	W630	Nut, " " " " " " bolt ... ..	2	2	2	2
12	F976	Washer, " " " " " " " " " " " " " "	2	2	2	2

## INDEX TO ILLUSTRATION ON PAGE 52

Illust. No.	Part No.	Page	Ref.	Illust. No.	Part No.	Page	Ref.
1	H.405	50	11	29	H.413	51	36
	H.404	50	10	30	H.435	51	41
2	H.663A	50	3	31	H.695	50	9
3	H.432A	51	1	32	H.439	51	25
4	H.384	51	5		XS.8	51	26
	H.505	51	6	33	H.438	51	23
	H.385	51	4		H.433	51	24
5	H657	50	16	34	H.407	51	31
6	H.570	50	12		H.406	51	30
7	H.518	50	13	36	H.379	50	5
8	H.382A	50	40	37	F.1760	50	4
9	H.390	50	35	38	S.1-51	50	8
10	H.415	50	30	39	H.660	50	6
11	H.428	61	7	40	H.536	51	32
12	H.519	50	31	41	H.397	51	15
13	H.430	50	32	42	H.399A	51	8
14	F.1760	50	33	43	H.454	51	11
15	H.379	50	34	44	H.453	51	10
16	H.414	50	29	45	H.452	51	9
17	H.441	50	39	46	F.879	51	12
18	H.431	50	38	47	H.394	51	13
19	H.391	50	36	48	H.395	51	14
20	H.445	50	37	49	E.1335	51	18
21	H.420	50	28	50	H.398	51	17
22	H.656	50	15	51	H.443	51	2
23	H.408	51	34	52	H.444	51	3
24	H.409	51	35	53	H.565	51	33
25	H.95	51	42	54	H.618	50	17
26	F.1718	51	38	55	H.519A	50	41
27	S.25-3	51	40	56	H.624	50	23
28	S.1-51	51	39	57	H.623	50	22

**FOR IDENTIFICATION OF PARTS SEE PAGE 10 FOR INSTRUCTIONS**

## WHEELS

NOTE. Spokes with specially angled heads ensures very sturdy wheel construction.

To maintain this condition, state clearly when ordering sundry spokes :—

(a) Side of wheel, i.e., brake side or reverse ; N/S or O/S.

(b) Whether head of spoke is toward or away from wheel centre.

83° towards centre      90° away from centre

88° towards centre      94° away from centre

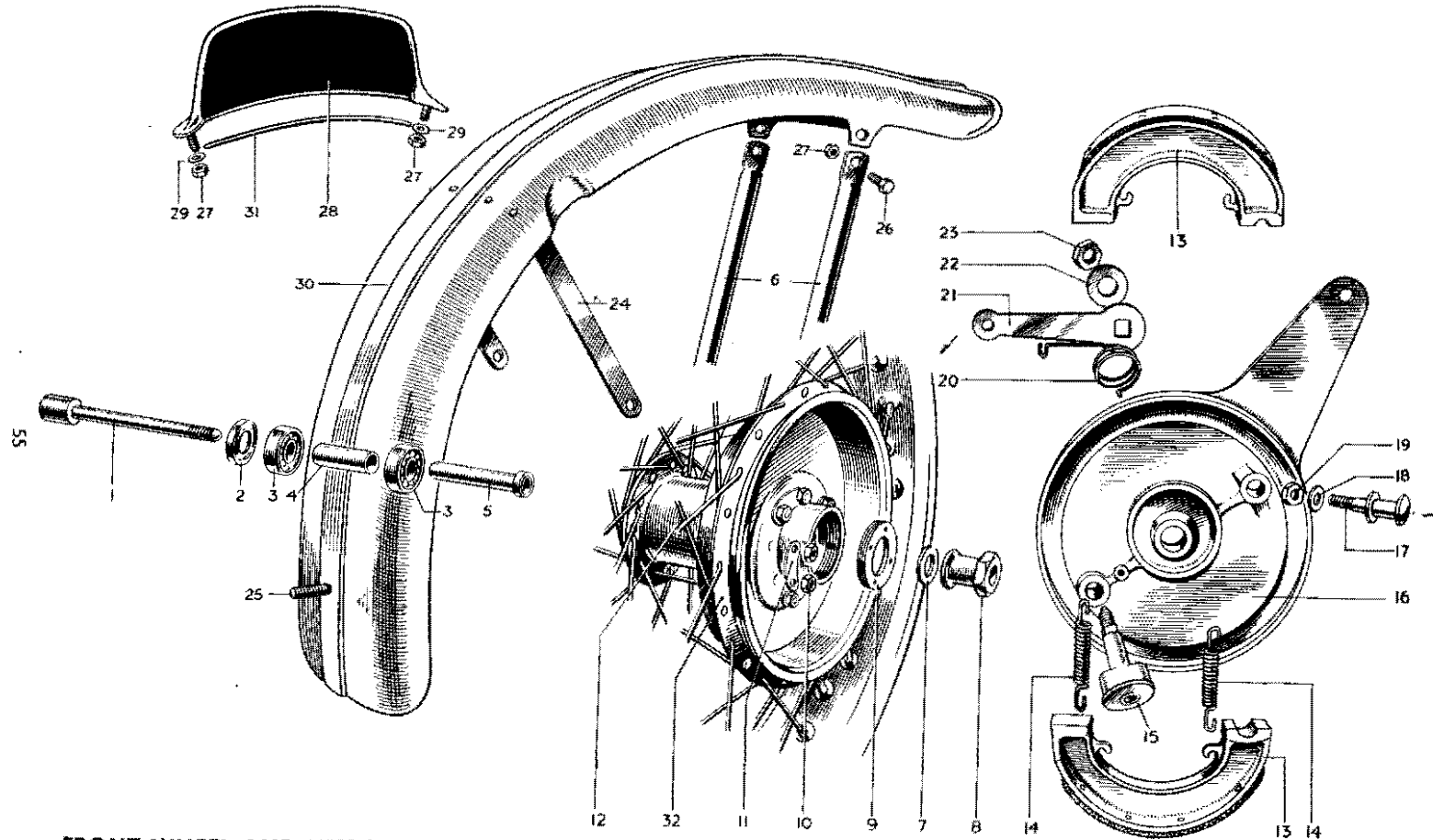
### FRONT WHEEL GROUP

REF No.	PART No.	DESCRIPTION	3T	5T	T100	6T
1	W571	Wheel, front complete ... ..	1	1	1	1
2	W572	Wheel, front less bearing and brake assembly	1	1	1	1
3	W351	Rim, front wheel ... ..	1	1	1	1
4	W662	Spoke, short 6 $\frac{3}{8}$ " × 10G × 83° O.S. ...	10	10	10	10
5	W663	Spoke, short 6 $\frac{3}{8}$ " × 10G × 94° O.S. ...	10	10	10	10
6	W660	Spoke, long 8 $\frac{1}{4}$ " × 10G × 88° N.S. ...	10	10	10	10
7	W661	Spoke, long 8 $\frac{1}{4}$ " × 10G × 90° N.S. ...	10	10	10	10
8	S79-2	Nipple, spoke ... ..	40	40	40	40
9	W573A	Hub, shell assembly ... ..	1	1	1	1
10	W576	Drum, brake assembly ... ..	1	1	1	1
11	W62	Bolt, brake drum ... ..	8	8	8	8
12	S1-51	Nut, brake drum bolt ... ..	8	8	8	8
13	W63	Lockplate, brake drum nut ... ..	8	8	8	8
14	W578	Spindle, front wheel hub ... ..	1	1	1	1
15	W761	Sleeve and collar, front wheel spindle	1	1	1	1
16	W544	Nut, " " " " " " ... ..	1	1	1	1
17	W545	Washer, " " " " " " ... ..	1	1	1	1
18	W653	Bearing, front wheel ball ... ..	2	2	2	2
19	W581	Distance piece, ball bearing ... ..	1	1	1	1
20	W582	Ring, ball bearing retaining ... ..	1	1	1	1
21	W583	Cap, ball bearing dust ... ..	1	1	1	1

#### INDEX TO ILLUSTRATION ON PAGE 55

Illust. No.	Part No.	Page	Ref.	Illust. No.	Part No.	Page	Ref.
1	W.578	54	14	17	W.588	56	2
2	W.583	54	21	18	S.25-2	56	4
3	W.653	54	18	19	PO.172A	56	3
4	W.581	54	19	20	W.592	56	13
5	W.761	54	15	21	W.589	56	10
6	H.569	61	2	22	S.25-6	56	12
7	W.545	54	17	23	S.1-52	56	11
8	W.544	54	16	24	H.427	61	6
9	W.582	54	20	25	DS.55	53	2
10	S.1-51	54	12	26	DS.57	61	3
11	W.63	54	13	27	F.879	61	4
12	W.573A	54	9	28	F.2698	64	6
13	W.93	56	5	29	S.26-2	64	8
14	W.135	56	8	30	H.566	61	1
15	W.386A	56	9	31	H.251	64	9
16	W.585	56	1				

**THE PARAGRAPH ABOVE ON SPOKE HEAD ANGLES IS IMPORTANT**



**FRONT WHEEL AND MUDGUARD  
ARRANGEMENT**

REF. No.	PART No.	DESCRIPTION	3T	5T	T100	6T
<b>FRONT WHEEL BRAKE</b>						
1	W585	Plate, front brake anchor ... ..	1	1	1	1
2	W.588	Pin, .. .. shoe fulcrum ... ..	1	1	1	1
3	PO172A	Nut, .. .. " .. " pin ... ..	1	1	1	1
4	S25-2	Washer, .. .. " .. " .. ..	1	1	1	1
5	W93	Shoe, .. .. with lining ... ..	2	2	2	2
6	NW213	Lining, .. .. shoe ... ..	2	2	2	2
7	W129	Rivets, shoe lining ... ..	16	16	16	16
8	W135	Spring, brake shoe return ... ..	2	2	2	2
9	W386A	Cam assembly, brake ... ..	1	1	1	1
10	W589	Lever, front brake cam ... ..	1	1	1	1
11	S1-52	Nut, .. .. " .. lever ... ..	1	1	1	1
12	S25-6	Washer, .. .. " .. nut ... ..	1	1	1	1
13	W592	Spring, .. .. " .. return ... ..	1	1	1	1
14	WF32	Pin, .. .. lever pivot ... ..	1	1	1	1
		Split pin, pivot pin $\frac{1}{16}$ " $\times$ $\frac{1}{2}$ " ... ..	1	1	1	1

### REAR WHEEL GROUP

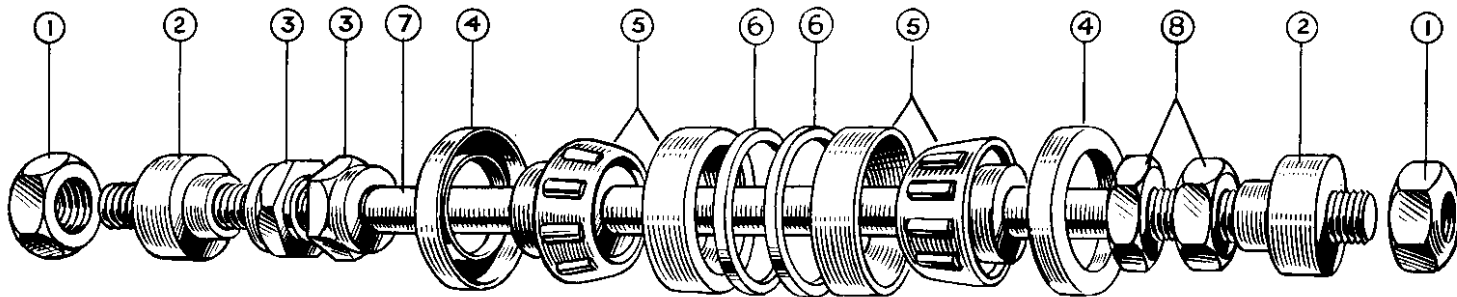
15	W863	Wheel, rear complete ... ..	1	1	1	1
16	W860	Wheel, rear less bearing and brake assembly	1	1	1	1
17	W79A	Rim, rear wheel ... ..	1	1	1	1
18	†NW125X	Spoke, $8\frac{1}{2}$ " $\times$ 9G $\times$ 100°, N.S. and O.S. ...	20	20	20	20
19	*NW125	Spoke, $8\frac{1}{2}$ " $\times$ 9G $\times$ 76°, N.S. and O.S. ...	20	20	20	20
20	TW5	Nipple, spoke ... ..	40	40	40	40
21	W861	Hub, shell assembly ... ..	1	1	1	1
22	W311	Drum, rear brake <b>W951</b> ... ..	1	1	1	1
23	W62	Bolt, rear hub to brake drum ... ..	8	8	8	8
24	S1-51	Nut, hub to brake drum bolt ... ..	8	8	8	8
25	W63	Lockplate, nut to brake drum bolt ... ..	8	8	8	8
26	W61	Spindle, rear wheel hub ... ..	1	1	1	1
27	TS42	Nut, .. .. " .. " .. ..	2	2	2	2
28	W7A	Bearing, rear wheel ball ... ..	2	2	2	2
29	NW.225	Ring, bearing backing ... ..	2	2	2	2
30	W12	Cap, bearing dust ... ..	2	2	2	2
31	W6	Collar, taking thrust to chain adjuster ...	2	2	2	2
32	W4	Nut, rear bearing adjusting lock ... ..	2	2	2	2
33	W56	Sprocket, rear chain wheel 46T ... ..	1	1	1	1
34	W64	Bolt, .. .. " .. sprocket ... ..	8	8	8	8
35	E2312	Washer, .. .. " .. s'proof ... ..	8	8	8	8
36	D106	Bolt, tyre security ... ..	1	1	1	1

†Spoke head towards centre.

\*Spoke head away from centre.

**SERVICE RELINED BRAKE SHOES  
ENSURE 100% BRAKING EFFICIENCY**





57

### INDEX

Illust. No.	Part No.	Page	Ref.	Illust. No.	Part No.	Page	Ref.
1	TS.42	56	27	5	W.7A	56	28
2	W.6	56	31	6	NW.225	56	29
3	W.5	58	3	7	W.61	56	26
4	W.12	56	30	8	W.4	56	32

### REAR WHEEL (RIGID) AXLE ASSEMBLY

REF. No.	PART No.	DESCRIPTION	3T	5T	T100	6T
<b>REAR WHEEL BRAKE</b>						
1	W765A	Plate, rear brake anchor c/w brake shoes	1	1	1	1
2	W762	Plate, rear brake anchor	1	1	1	1
3	WS	Locknut, rear brake anchor plate	2	2	2	2
4	W764	Thrower, rear brake drum	1	1	1	1
5	W93	Shoe assembly, rear with lining	2	2	2	2
6	NW243	Lining, rear brake shoe	2	2	2	2
7	W129	Rivet, brake shoe lining	16	16	16	16
8	W135	Spring, brake shoe return	2	2	2	2
9	W856	Cam assembly, rear brake	1	1	1	1
10	W74A	Lever, rear brake cam	1	1	1	1
11	51-52	Nut, " " " lever	1	1	1	1
12	W123	Spring, " " " " return	1	1	1	1

## REAR SPRING WHEEL GROUP

### MARK I

13	W879	Wheel, complete	—	1	1	1
14	W877	Wheel, " "	1	—	—	—
15	W645	Wheel, less internals	1	1	1	1
16	W643	Rim	1	1	1	1
17	W644	Spoke	40	40	40	40
18	S79-2	Nipple, spoke	40	40	40	40
19	W600	Hub, shell assembly	1	1	1	1
20	W859	Drum, sprocket and brake	1	1	1	1
21	W641	Bolt, brake drum	8	8	8	8
22	F879	Nut, brake drum bolt	8	8	8	8
23	W642	Lockplate, brake drum bolt	4	4	4	4
24	W611	Race, outer	2	2	2	2
25	W610	Race, inner	2	2	2	2
26	W609	Ball, race caged assembly	2	2	2	2
27	W601	Plate, hub shell bearing end	1	1	1	1
28	W744	Shim, end plate	9	9	9	9
29	W640	Bolt, end plate to hub shell	10	10	10	10
30	E2312	Washer, end plate to hub shell bolt	10	10	10	10
31	F879	Nut, end plate to hub shell bolt	10	10	10	10
32	W884	Plunger guide box assembly	1	1	1	1
33	W602A-3A	Box, plunger guide	1	1	1	1
34	W885	Pad, front slipper (convex)	2	2	2	2
35	W886	Pad, rear slipper (concave)	2	2	2	2
36	W866	Shim, slipper pad, .002" thick	As required			
37	W867	Shim, slipper pad, .003" thick				
38	W638	Screw, slipper pads	8	8	8	8
39	E1562	Bolt, plunger guide box	2	2	2	2

SEE SUPPLEMENT for MARK II SPRING WHEEL which is identified by two screws securing dust excluder on anchor plate side which are not fitted to the Mark I.

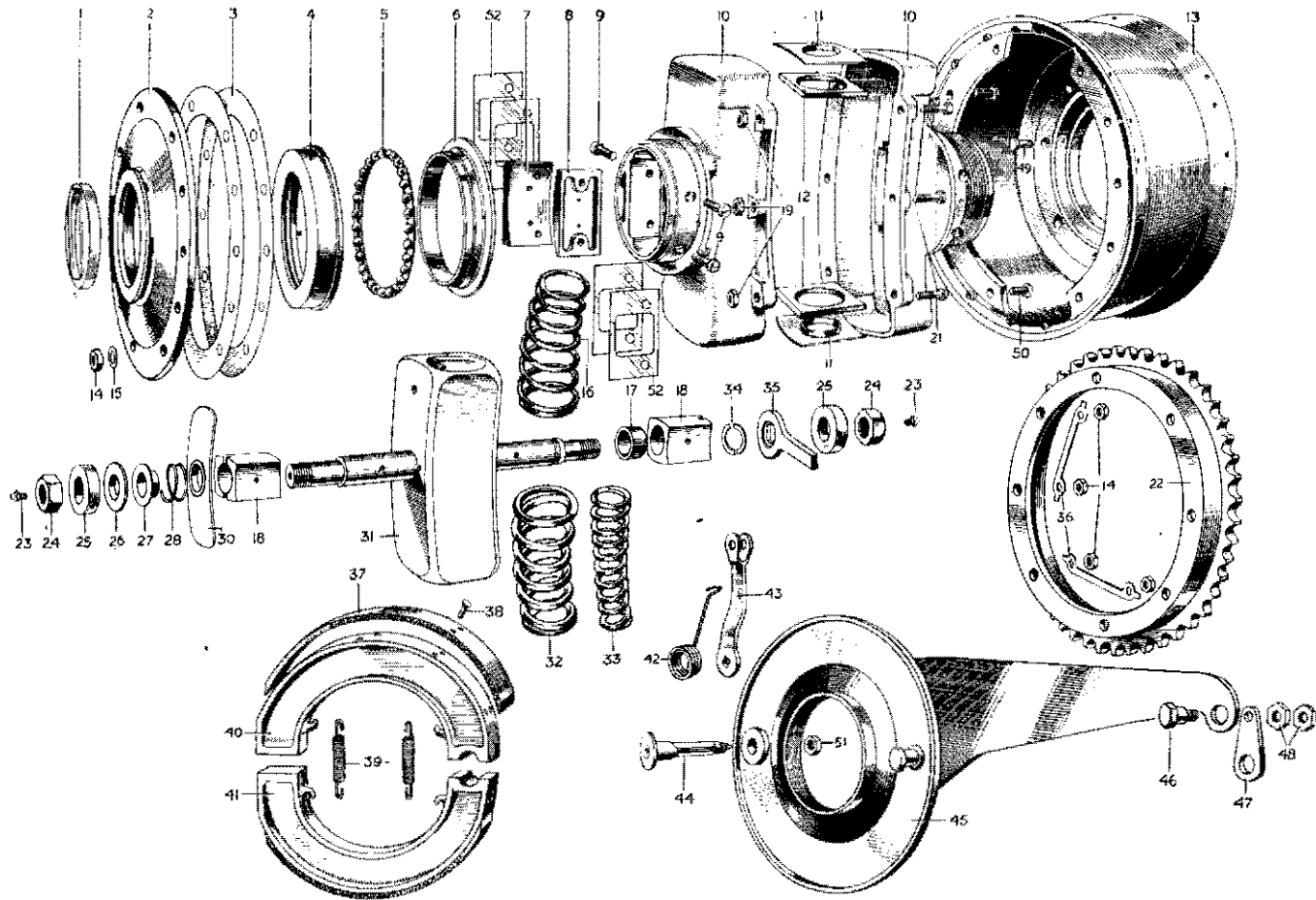
### STATE FRAME NUMBER FOR SPRING WHEEL SPARES

REF. No.	PART No.	DESCRIPTION	3T	5T	T100	6T
1	T450	Bolt, clamp, plunger guide box	4	4	4	4
2	E2312	Washer, plunger guide box bolt	6	6	6	6
3	SI-40	Nut, plunger guide box bolt	6	6	6	6
4	W791A	Axle and guide	1	1	1	1
5	W616	Block, slipper	2	2	2	2
6	NW100	Nipple, grease	2	2	2	2
7	W766	Sleeve, block to axle guide distance	1	1	1	1
8	W837	Spring, inner main	1	1	1	1
9	W836	Spring, outer main	1	1	1	1
10	W890	Spring rebound	1	1	1	1
11	W658A	Buffer, plunger	2	2	2	2
12	W664A	Locator plate, spring	2	2	2	2
13	W639	Lever, axle shaft anchorage	1	1	1	1
14	W634	Circlip, axle shaft, split	2	2	2	2
15	W798	Collar, axle shaft distance O.S.	1	1	1	1
16	W633	Collar, axle shaft	2	2	2	2
17	W635	Nut, axle shaft	2	2	2	2
18	W849	Ring, dust excluder fixing	2	2	2	2
19	W794	Plate, dust excluder	2	2	2	2
20	W799	Spring, " " "	2	2	2	2
21	W797	Sleeve, " " centre	2	2	2	2

#### REAR SPRING WHEEL BRAKE

22	W620	Plate, brake anchor	—	1	1	1
23	W853	Plate, " "	1	—	—	—
24	W617	Shoe c/w lining, trailing brake	1	1	1	1
25	W618	Shoe " " leading "	1	1	1	1
26	W631	Lining, brake	2	2	2	2
27	W129	Rivets, brake lining	16	16	16	16
28	W135	Spring, brake shoe return	2	2	2	2
29	W856	Cam, brake assembly	1	1	1	1
30	W74A	Lever, brake cam	1	1	1	1
31	SI-52	Nut, brake cam lever	1	1	1	1
32	W123	Spring, brake cam return	1	1	1	1
33	W626	Link, brake anchorage	—	1	1	1
34	W855	Link, " "	1	—	—	—
35	W784	Bolt, brake anchorage link	1	1	1	1
36	W630	Locknut, brake anchorage bolt	2	2	2	2
37	W743	Nut, brake pedal spindle	1	1	1	1
38	$\frac{3}{8}$ " x 1"	Split pin, brake pedal spindle nut	1	1	1	1
39	F1015B	Rod, brake operating	—	1	1	1
40	F1015C	Rod, " "	1	—	—	—
41	D106	Bolt, tyre security	1	1	1	1

STATE FRAME NUMBER FOR SPRING WHEEL SPARES



69

TRIUMPH SPRING WHEEL MARK I

## MUDGUARD GROUP

REF. No.	PART No.	DESCRIPTION	3T	5T	T100	6T
<b>FRONT MUDGUARD</b>						
1	H566	Mudguard assembly, less front stays	1	1	1	1
2	H569	Stay, mudguard front	2	2	2	2
3	D557	Bolt, " " stay	2	2	2	2
4	F879	" " " "	2	2	2	2
5	E1612	Washer, " " "	2	2	2	2
6	H427	Bridge, " " support	1	1	1	1
7	H428	Clip, " " bridge	2	2	2	2
8	H426	Bolt, clip, N.5.	1	1	1	1
9	H451	Bolt, clip, O.5.	1	1	1	1
10	PO172A	Nut, clip bolt	2	2	2	2
11	S26-1	Washer, clip bolt	2	2	2	2
12	F929	Bolt, mudguard stay to fork end	2	2	2	2
13	S26-3	Washer, " " " "	2	2	2	2

### INDEX TO ILLUSTRATION ON PAGE 60

Illust. No.	Part No.	Page	Ref.	Illust. No.	Part No.	Page	Ref.
1	W.849	59	18	30	W.794	59	19
2	W.601	58	27	31	W.791A	59	4
3	W.744	58	28	32	W.836	59	9
4	W.611	58	24	33	W.837	59	8
5	W.609	58	26	34	W.634	59	14
6	W.610	58	25	35	W.639	59	13
7	W.886-W 936	58	35	36	W.642	58	23
8	W.885-W 935	58	34	37	W.631	59	26
9	W.638	58	38	38	W.129	59	27
10	W.602A/3A	58	33	39	W.135	59	28
11	W.664A	59	12	40	W.618	59	25
12	W.658A	59	11	41	W.617	59	24
13	W.600	58	19	42	W.123	59	32
14	F.879	58	22	43	W.74A	59	30
15	E.2312	58	30	44	W.856	59	29
16	W.890	59	10	45	W.620	59	22
17	W.766	59	7		W.853	59	23
18	W.616	59	5	46	W.784	59	35
19	S.1-40	59	3	47	W.626	59	33
21	T.450	59	1		W.855	59	34
22	W.859	58	20	48	W.630	59	36
23	NW.100	59	6	49	W.641	58	21
24	W.635	59	17	50	W.640	58	29
25	W.633	59	16	51	S.1-52	59	31
26	W.798	59	15	52	W.866	58	36
27	W.797	59	21		W.867	58	37
28	W.799	59	20				

FOR IDENTIFICATION OF PARTS SEE PAGE 10 FOR INSTRUCTIONS

REF. No.	PART No.	DESCRIPTION	3T	5T	T100	6T
<b>REAR MUDGUARD (3T)</b>						
1	F1722	Mudguard assembly, rear ... ..	1	—	—	—
2	F1723A	Tailguard, rear mudguard ... ..	1	—	—	—
3	DS57	Bolt, tailguard fixing ... ..	2	—	—	—
4	PF204	Clip, mudguard to frame ... ..	2	—	—	—
5	F444	Plate backing, to clip ... ..	2	—	—	—
6	S23-42	Screw, fixing plate to clip ... ..	4	—	—	—
7	S25-1	Washer, plate to clip screw ... ..	4	—	—	—
8	F1087	Stay, tailguard ... ..	1	—	—	—
9	F1369	Bolt, tailguard to stay ... ..	2	—	—	—
10	F879	Nut, tailguard to stay bolt ... ..	2	—	—	—
11	S26-2	Washer, tailguard to stay bolt ... ..	2	—	—	—
12	F1088	Stay, mudguard front ... ..	1	—	—	—
13	F1088A	Stay, " middle ... ..	1	—	—	—
14	F946	Stud, mudguard stay to frame junction ... ..	2	—	—	—
15	F947	Nut, for junction stud ... ..	2	—	—	—
16	S25-65	Washer, for junction stud ... ..	2	—	—	—
17	NF733	Handle, lifting ... ..	2	—	—	—
18	F929	Bolt, lifting handle ... ..	4	—	—	—

#### REAR MUDGUARD (5T, T100 and 6T)

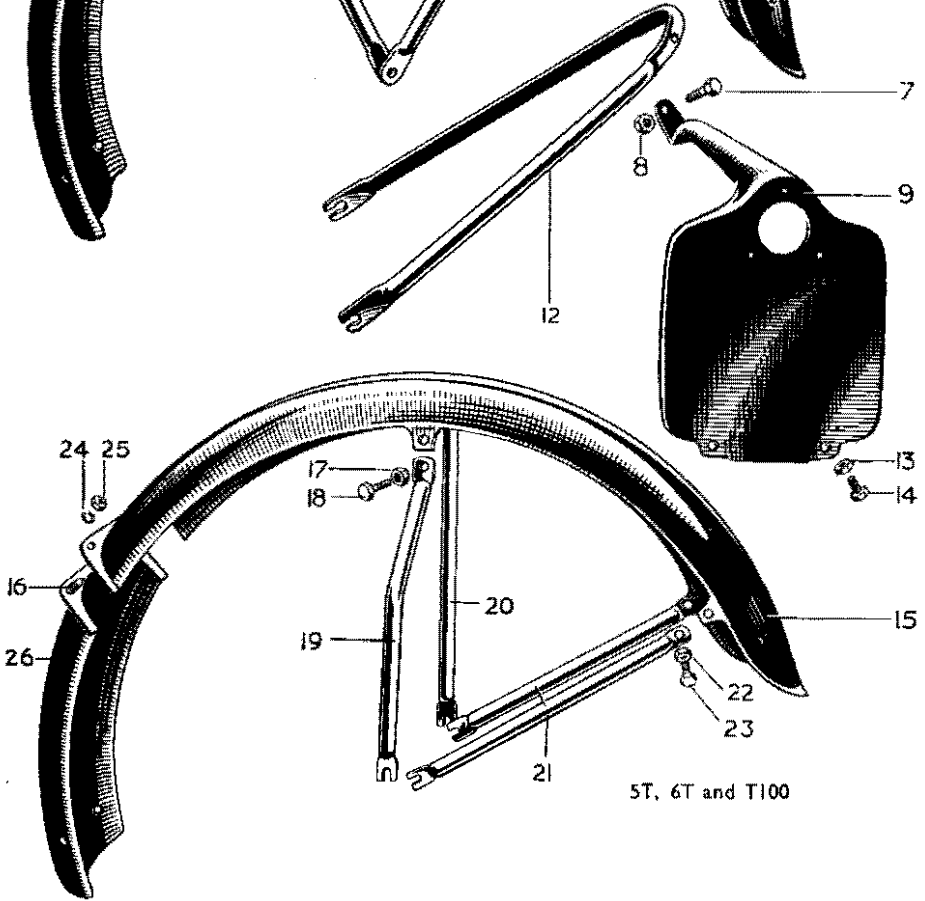
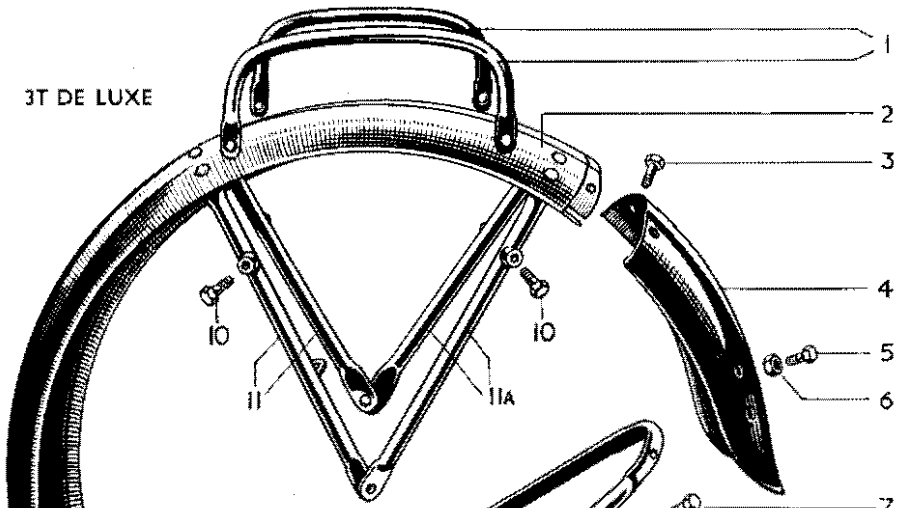
19	F2756	Mudguard, front section ... ..	—	1	1	1
20	F3012	Mudguard, rear section ... ..	—	1	1	1
21	F2761	Stay, centre, N.S. ... ..	—	1	1	1
22	F2763	Stay, " O.S. ... ..	—	1	1	1
23	F2764	Stay, rear ... ..	—	2	2	2
24	F2335	Bolt, stay to mudguard ... ..	—	4	4	4
25	E2287	Washer, stay to mudguard bolt ... ..	—	4	4	4
26	S1-51	Nut, stay to mudguard bolt ... ..	—	4	4	4
27	PF204	Clip, mudguard to frame ... ..	—	1	1	1
28	F444	Plate backing, to clip ... ..	—	1	1	1
29	S25-1	Washer, backing plate ... ..	—	2	2	2
30	S23-42	Bolt, backing plate ... ..	—	2	2	2

#### INDEX TO ILLUSTRATION ON PAGE 63

Illust. No.	Part No.	Page	Ref.	Illust. No.	Part No.	Page	Ref.
1	NF.733	62	17	14	F.1369	64	14
2	F.1722	62	1	15	F.3012	62	20
3	DS.57	62	3	16	F.2908	64	1
4	F.1723A	62	2	17	S.1-51	62	26
5	F.1369	64	14	18	F.2335	62	24
6	F.879	64	15	19	F.2761	62	21
7	F.929	64	11	20	F.2763	62	22
8	S.1-51	64	12	21	F.2764	62	23
9	F.2728	64	10	22	S.1-51	62	26
10	F.929	62	18	23	F.2335	62	24
11	F.1088	62	12	24	F.1720	64	2
11A	F.1088A	62	13	25	S.26-2	64	3
12	F.1087	62	8	26	F.2756	62	19
13	F.879	64	15				

**FOR IDENTIFICATION OF PARTS SEE PAGE 10 FOR INSTRUCTIONS**

3T DE LUXE



5T, 6T and T100

REAR MUDGUARDS

REF. No.	PART No.	DESCRIPTION	3T	5T	T100	6T
1	F2908	Stud, mudguard front to rear section	...	2	2	2
2	E1720	Nut, rear frame to mudguard stay	...	2	2	2
3	S26-2	Washer, mudguard front to rear section	...	2	2	2
4	E579	Bolt, rear frame to mudguard stay	...	2	2	2
5	S26-2	Washer for E579	...	2	2	2

## NUMBER PLATE GROUP

### FRONT NUMBER PLATE

6	F2698	Plate assembly, front number (casting)	...	1	1	1
7	F879	Nut, number plate stud	...	2	2	2
8	S26-2	Washer, " " " "	...	2	2	2
9	H251	Beading, " " " base	...	1	1	1

### REAR NUMBER PLATE

10	F2728	Plate, rear number	...	1	1	1
11	F929	Bolt, number plate top fixing	...	1	1	1
12	S1-S1	Nut, " " " " bolt	...	1	1	1
13	S26-3	Washer, " " " " " "	...	1	1	1
14	F1369	Bolt, " " " bottom fixing	...	2	2	2
15	F879	Nut, " " " " bolt	...	2	2	2
16	S26-2	Washer, " " " " " "	...	2	2	2
17	D68A	Transfer, " " (blue and white)	...	—	—	—
18	D68	Transfer, " " (gold and white)	...	1	1	—

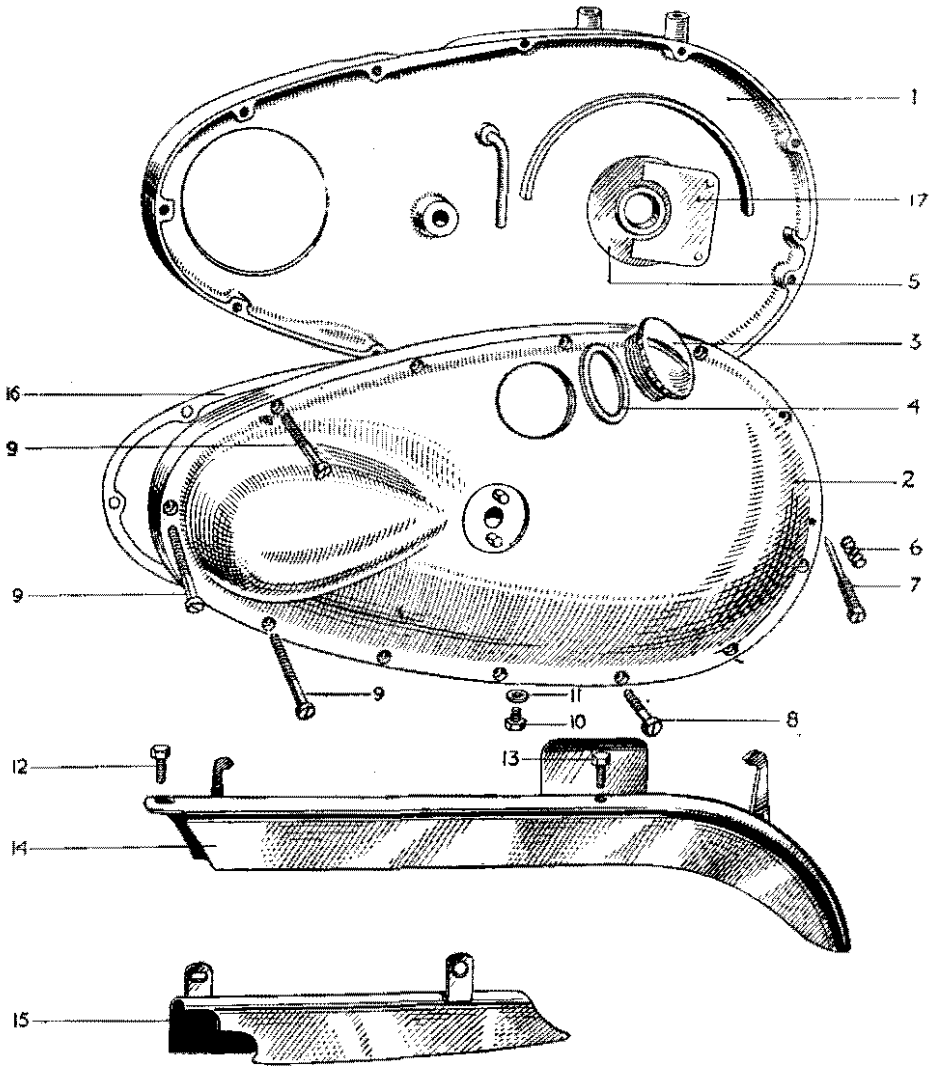
## PRIMARY CHAINCASE GROUP

19	T478A	Cover, chaincase outer	...	1	—	—
20	T480A	Cover, " " "	...	—	1	1
21	NT367	Plug, " " oil filler	...	1	1	1
22	NT376	Washer, " " " plug	...	1	1	1
23	PCE102F	Plug, " " drain	...	1	1	1
24	WE170	Washer, " " plug	...	1	1	1
25	NT316	Dowel, " " (footrest)	...	2	2	2
26	T725	Cover, " " inner	...	1	—	—
27	T483A	Cover, " " "	...	—	1	1
28	T484	Plate, " " oil retainer	...	1	1	1
29	T91	Plate, " " " spring	...	1	1	1
30	T177A	Rivets, " " " plate	...	2	2	2
31	T496	Adjuster, rear chain oiler	...	1	1	1
32	T497	Spring, " " " adjuster	...	1	1	1

TREASURY NOTES MUST BE REGISTERED



## PRIMARY CHAINCASE AND REAR CHAINGUARDS



### INDEX

Illust. No.	Part No.	Page	Ref.	Illust. No.	Part No.	Page	Ref.
1	T.725	64	26	10	PCE.102F	64	23
	T.483A	64	27	11	WE.170	64	24
2	T.478A	64	19	12	S.23-37	66	12
	T.480A	64	20	13	DS.57	66	11
3	NT.367	64	21	14	T.148A	66	10
4	NT.376	64	22		T.766	66	8
5	T.484	64	28		T.987	66	9
6	T.497	64	32	15	F.1730	66	14
7	T.496	64	31	16	T.503	66	2
8	E.427	66	5		T.504	66	1
9	E.329	66	7	17	T.91	64	29
	E2691	66	6				

REF. No.	PART No.	DESCRIPTION	3T	5T	T100	6T
1	T504	Washer, chaincase joint ... ..	—	1	1	1
2	T503	Washer, .. ..	1	—	—	—
3	T87	Distance piece, chain cover to frame ... ..	—	1	1	1
4	T200	Distance piece, .. ..	1	—	—	—
5	E427	Screw, chaincase cover (short) ... ..	9	9	9	9
6	E2691	Screw, .. .. (long) ... ..	—	3	3	3
7	E329	Screw, .. .. ( .. ) ... ..	3	—	—	—

### CHAINGUARD GROUP

8	T766	Chainguard, rear upper ... ..	—	1	1	1
9	T987	Chainguard, rear upper (for Stop Lamp attachment) ... ..		As required		
10	T148A	Chainguard, rear upper ... ..	1	—	—	—
11	DS57	Bolt, chainguard fixing, rear upper ... ..	1	1	1	1
12	S23-37	Bolt, .. .. front upper ... ..	1	1	1	1
13	S25-1	Washer, .. bolt ... ..	2	2	2	2
14	F1730	Chainguard, rear lower ... ..	1	1	1	1
15	F1369	Bolt, chainguard lower front ... ..	1	1	1	1
16	F879	Nut, .. .. bolt ... ..	1	1	1	1
17	S26-2	Washer, .. .. bolt ... ..	1	1	1	1
18	F1760	Bolt, .. .. bolt ... ..	1	1	1	1
19	S1-52	Nut, .. .. bolt ... ..	1	1	1	1

### CHAIN GROUP

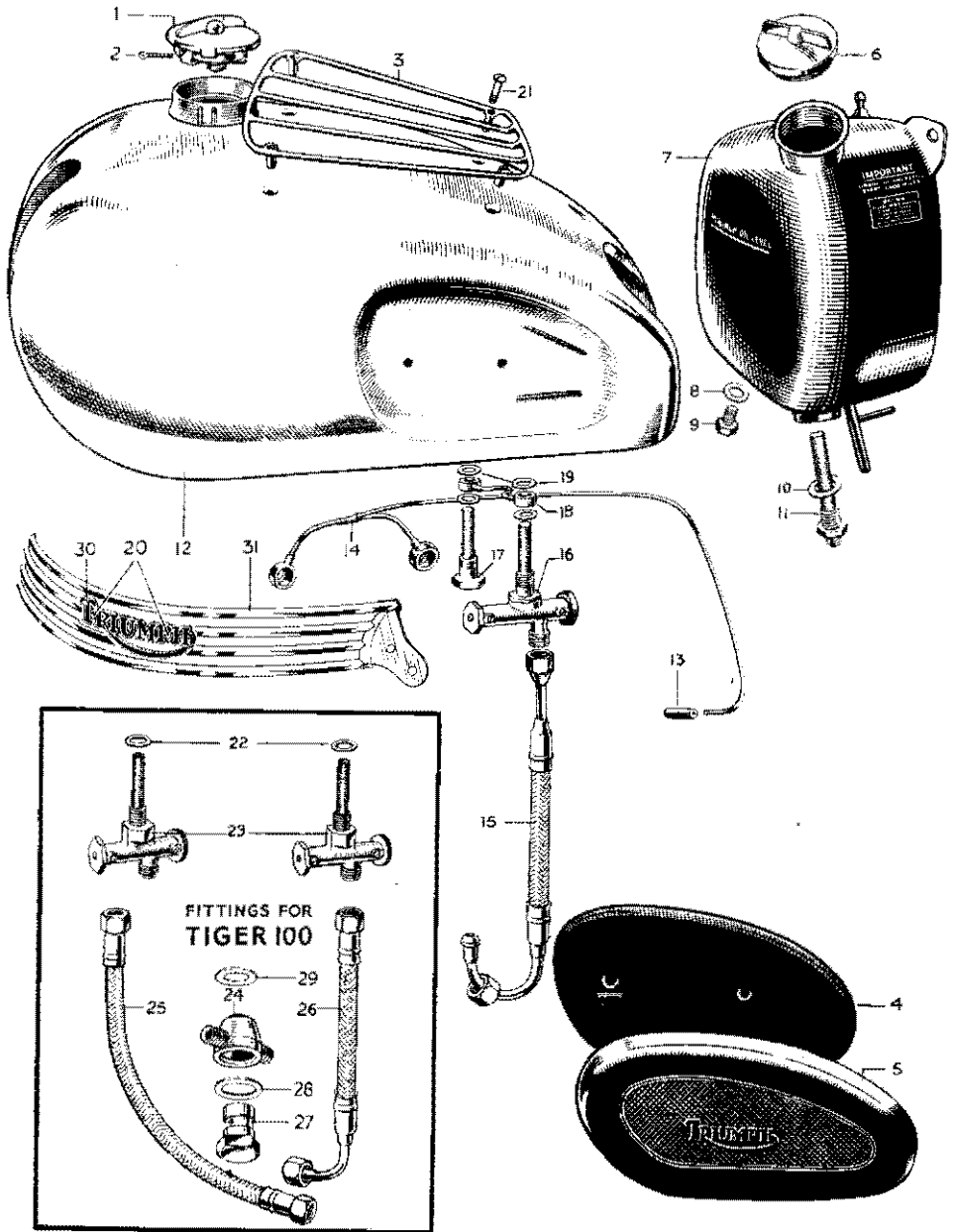
20	D120	Chain, primary 78L (solo) ... ..	—	1	1	1
21	D121	Chain, .. 77L (sidecar) ... ..	—	1	1	—
22	T376	Chain, .. 74L ... ..	1	—	—	—
23	D40	Chain, .. 80L (sidecar) ... ..	—	—	—	1
24	D116	Chain, rear 93L ... ..	—	1	1	1
25	D69	Chain, .. 90L ... ..	1	—	—	—
26	110-046.49	Kit, primary chain spare parts ... ..	1	1	1	1
27	110-056.59	Kit, rear .. ..	1	1	1	1

SEE SPECIMEN ORDER IN PREFACE

## TANK GROUP

REF. No.	PART No.	DESCRIPTION	3T	5T	T100	6T
<b>PETROL TANK</b>						
NOTE. When ordering always state colour and model type.						
1	F2964PR	Tank, petrol. Less fittings ... ..	—	1	—	—
2	F2964PS	Tank, „ „ „ „ ... ..	—	—	1	—
3	F2966PB	Tank, „ „ „ „ ... ..	1	—	—	—
4	F2964TB	Tank, „ „ „ „ ... ..	—	—	—	1
5	F1034	Cap, tank filler ... ..	1	1	1	1
		Split pin, filler cap 1" x $\frac{3}{32}$ " ... ..	1	1	1	1
6	F3080	Band, petrol tank styling N.S. ... ..	—	1	1	1
7	F3081	Band, „ „ „ „ O.S. ... ..	—	1	1	1
8	F3083	Band, „ „ „ „ N.S. ... ..	1	—	—	—
9	F3084	Band, „ „ „ „ O.S. ... ..	1	—	—	—
10	F1823A	Nameplate, petrol tank ... ..	—	2	—	—
11	F1823	Nameplate, „ „ ... ..	—	—	2	—
12	F1823C	Nameplate, „ „ ... ..	2	—	—	—
13	F1823D	Nameplate, „ „ ... ..	—	—	—	2
14	F3113	Screw, name plate ... ..	4	4	4	4
15	F2124	Tap, petrol feed ... ..	—	1	—	1
16	F1717	Tap, „ „ ... ..	1	—	2	—
17	F1511	Washer, petrol feed tap ... ..	2	2	4	2
18	F1721	“U” pipe, connecting ... ..	1	—	—	—
19	F2120	Pipe, connecting ... ..	—	1	—	1
20	F2593	Adaptor, „ pipe ... ..	—	1	—	1
21	GS367	Washer, „ „ „ „ „ adaptor ... ..	—	3	—	3
22	F3060	Pipe, petrol feed ... ..	—	1	—	1
23	F3059	Pipe, „ „ ... ..	1	—	—	—
24	F2918	Pipe, „ „ N.S. ... ..	—	—	1	—
25	F2919	Pipe, „ „ O.S. ... ..	—	—	1	—
26	F2958	Adaptor, carburetter to petrol pipe ... ..	—	—	1	—
27	GS367	Washer, „ „ „ „ „ adaptor ... ..	—	—	1	—
28	E2570	Washer, sleeve nut to adaptor ... ..	—	—	1	—
29	F2959	Sleeve nut, adaptor ... ..	—	—	1	—
30	F2551	Pad, knee grip, N.S. ... ..	—	1	1	1
31	F2552	Pad, „ „ O.S. ... ..	—	1	1	1
32	F1606	Pad, „ „ N.S. ... ..	1	—	—	—
33	F1605	Pad, „ „ O.S. ... ..	1	—	—	—
34	F1607	Plate, „ „ N.S. ... ..	1	—	—	—
35	F1607A	Plate, „ „ O.S. ... ..	1	—	—	—
36	F1953	Screw, „ „ pad (rear) ... ..	—	2	2	2
37	F3082	Screw, „ „ „ (front) ... ..	—	2	2	2
38	T361	Screw, „ „ „ „ „ „ ... ..	4	—	—	—
39	S25-1	Washer, knee grip pad (rear) ... ..	—	2	2	2
40	F1313	Washer, „ „ „ „ (front) ... ..	—	2	2	2
41	F966	Bolt, petrol tank fixing (rear) ... ..	4	2	2	2

**ALWAYS GIVE COLOUR WHEN ORDERING**



**PETROL AND OIL TANKS WITH FITTINGS**

REF. No.	PART No.	DESCRIPTION	3T	5T	T100	6T
1	F1808	Bolt, petrol tank fixing (front)	—	2	2	2
2	S25-27	Washer, petrol tank fixing bolt	4	4	4	4
3	F967	Pad, petrol tank rubber	8	6	6	6
4	F1813	Pad, " " " (front)	—	2	2	2

### TANK PARCEL GRID

5	F2933	Grid, tank parcel	1	1	1	1
6	F2936	Screw " " grid	4	4	4	4
7	F3026*	Plug, " " " screw	4	4	4	4

\*To replace F2936 when grid is not in use.

### OIL TANK

8	F1645A	Tank, oil	1	1	1	1
9	E370A	Cap, oil tank filler	1	1	1	1
10	E1331	Washer, oil tank filler cap	1	1	1	1
11	F1792	Plug, " " drain	1	1	1	1
12	PT104B	Washer, " " plug	1	1	1	1
13	F3077	Connection, oil tank vent (rubber)	1	1	1	1
14	F3076	Pipe, oil tank vent (copper)	—	1	1	1
15	F3076A	Pipe, " " " " "	1	—	—	—
16	F929	Bolt, " " to bridge clip	1	1	1	1
17	F1213	Bolt, " " " seat tube clip	1	1	1	1
18	F1335	Distance piece, oil tank to seat tube bolt	1	1	1	1

### INDEX TO ILLUSTRATION ON PAGE 68

Illust. No.	Part No.	Page	Ref.	Illust. No.	Part No.	Page	Ref.
1	F.1034	67	5		F.1717	67	16
2	3 32" Split Pin			17	F.2593	67	20
3	F.2933	69	5	18	F.2120	67	19
4	F.2552	67	31	19	F.1511	67	17
	F.1605	67	33	20	F.3113	67	14
5	F.2551	67	30	21	F.2936	69	6
	F.1606	67	32	22	F.1511	67	17
6	E370A	69	9	23	F.1717	67	16
7	F.1645A	69	8	24	F.2958	67	26
8	PT.104B	69	12	25	F.2919	67	25
9	F.1792	69	11	26	F.2918	67	24
10	F.1713	70	4	27	F.2959	67	29
11	F.1838	70	3	28	F.2570	67	28
12	F.2964PR	67	1	29	GS.367	67	27
	F.2964PS	67	2	30	F.1823	67	11
	F.2966PB	67	3		F.1823A	67	10
	F.2964TB	67	4		F.1823C	67	12
13	E.1947	33	33		F.1823D	67	13
14	E.1937A	33	31	31	F.3080	67	6
	E.1781	33	32		F.3081	67	7
15	F.3060	67	22		F.3083	67	8
	F.3059	67	23		F.3084	67	9
16	F.2124	67	15				

FOR IDENTIFICATION OF PARTS SEE PAGE 10 FOR INSTRUCTIONS

REF. No.	PART No.	DESCRIPTION	3T	5T	T100	6T
1	F1682	Stud, oil tank to seat tube ... ..	1	1	1	1
2	S1-S1	Nut, " " " " " stud ... ..	1	1	1	1
3	F1838	Filter, " " ... ..	1	1	1	1
4	F1713	Washer, oil tank filter ... ..	1	1	1	1
5	F1919	Pipe, feed assembly, top half ... ..	1	1	1	1
6	S63-F	Union nut, feed pipe assembly ... ..	1	1	1	1
7	E1526	Oil pipes and block oil tank to engine ...	—	1	1	1
8	E2457	Oil pipes " " " " " " " " ... ..	1	—	—	—
9	E1529	Washer, oil pipe block joint ... ..	1	1	1	1
10	S1-S1	Nut, oil pipe block ... ..	1	1	1	1
11	S25-3	Washer, oil pipe block stud ... ..	1	1	1	1
12	MF119	Connection, oil tank to oil pipe ... ..	2	2	2	2

## HANDLEBAR GROUP

### HANDLEBAR

13	H696	Handlebar, complete with controls and twist grip ... ..	1	1	1	1
14	H659	Handlebar bend only ... ..	1	1	1	1
15	H230	Grip, dummy rubber L.H. ... ..	1	1	1	1

### THROTTLE CONTROL

16	H697	Twist grip, assembly ... ..	1	1	1	1
17	H698	Head assembly, twist grip ... ..	1	1	1	1
18	H665	Adjuster screw, twist grip ... ..	1	1	1	1
19	H685	Spring, twist grip friction ... ..	1	1	1	1
20	H686	Spring, " " screw ... ..	1	1	1	1
21	H234	Thimble, " " cable ... ..	1	1	1	1
22	H237	Grub screw, twist grip ... ..	1	1	1	1
23	H700	Sleeve assembly, twist grip ... ..	1	1	1	1
24	H233	Plate, twist grip retaining ... ..	1	1	1	1
25	H232	Circlip, " " plate ... ..	1	1	1	1
26	H230	Grip, " " rubber ... ..	1	1	1	1

### FRONT BRAKE CONTROL

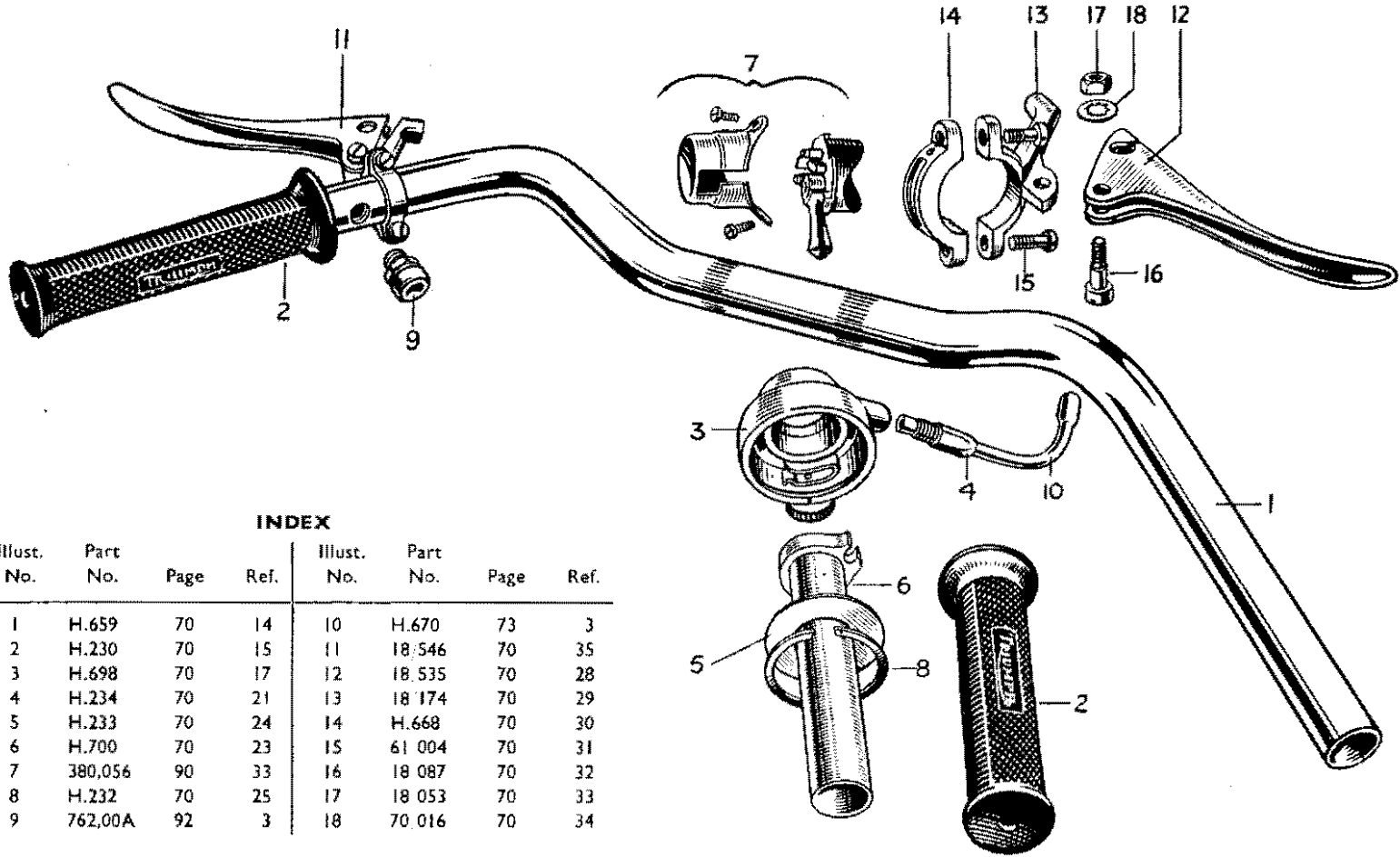
27	18/599	Lever, control assembly ... ..	1	1	1	1
28	18/535	Lever only ... ..	1	1	1	1
29	18/174	Bracket, lever ... ..	1	1	1	1
30	H668	Clamp, brake lever ... ..	1	1	1	1
31	61/004	Screw, clamp ... ..	2	2	2	2
32	18/087	Pin, lever fulcrum ... ..	1	1	1	1
33	18/053	Nut, " " pin ... ..	1	1	1	1
34	70/016	Washer, " " " " ... ..	1	1	1	1

### CLUTCH CONTROL

35	18/546	Lever, control assembly ... ..	1	1	1	1
36	18/528	Lever only ... ..	1	1	1	1
37	18/174	Bracket, lever ... ..	1	1	1	1

IF IN DOUBT SEND SAMPLE

# HANDLEBARS AND CONTROLS



71

## INDEX

Illust. No.	Part No.	Page	Ref.	Illust. No.	Part No.	Page	Ref.
1	H.659	70	14	10	H.670	73	3
2	H.230	70	15	11	18.546	70	35
3	H.698	70	17	12	18.535	70	28
4	H.234	70	21	13	18.174	70	29
5	H.233	70	24	14	H.668	70	30
6	H.700	70	23	15	61.004	70	31
7	380,056	90	33	16	18.087	70	32
8	H.232	70	25	17	18.053	70	33
9	762,00A	92	3	18	70.016	70	34

REF. No.	PART No.	DESCRIPTION	3T	5T	T100	6T
1	12.044	Clamp, bracket lever ... ..	1	1	1	1
2	11.014	Screw, lever clamp ... ..	2	2	2	2
3	18.087	Pin, lever fulcrum ... ..	1	1	1	1
4	18.053	Nut, " " pin ... ..	1	1	1	1
5	70.016	Washer, " " " " ... ..	1	1	1	1

### AIR CONTROL

6	12.171	Lever assembly air control ... ..	1	1	1	1
7	12.017A	Lever, air ... ..	1	1	1	1
8	12.029	Bolt, centre ... ..	1	1	1	1
9	12.031	Cap, centre ... ..	1	1	1	1
10	12.033	Washer, spring ... ..	1	1	1	1
11	11.014	Screw, clip fixing ... ..	2	2	2	2
12	12.040	Clip, fixing ... ..	1	1	1	1

## CONTROL CABLE GROUP

### CLUTCH CABLE

13	D203 X	Cable assembly, clutch ... ..	1	1	1	1
14	D203 W	Wire only, clutch ... ..	1	1	1	1
15	D203 C	Casing only, clutch ... ..	1	1	1	1
16	D103	Ferrule, clutch casing ... ..	2	2	2	2
17	D81	Nipple, clutch wire (handlebar end) ... ..	1	1	1	1
18	DS73	Nipple (gearbox end) ... ..	1	1	1	1
19	DS74	Adjuster, clutch cable ... ..	1	1	1	1
20	W76	Locknut, clutch cable adjuster ... ..	1	1	1	1

### FRONT BRAKE CABLE

21	D247	Cable assembly, brake ... ..	1	1	1	1
22	D247W	Wire only, brake ... ..	1	1	1	1
23	D247C	Casing only, brake ... ..	1	1	1	1
24	H751	Sleeve, casing rubber ... ..	1	1	1	1
25	D103	Ferrule, brake casing ... ..	2	2	2	2
26	D81	Nipple, brake wire (handlebar end) ... ..	1	1	1	1
27	H446B	Tube, brake wire ... ..	1	1	1	1
28	W593	Fork end, brake wire ... ..	1	1	1	1
29	H447	Cable end, brake ... ..	1	1	1	1
30	W328A	Adjuster, cable ... ..	1	1	1	1
31	W591	Abutment, cable adjuster ... ..	1	1	1	1
32	W329	Thumb nut, cable adjuster ... ..	1	1	1	1

### THROTTLE CABLE

33	D224	Cable assembly, throttle ... ..	—	1	1	1
34	D226	Cable assembly, " ... ..	1	—	—	—
35	D224W	Wire only, throttle ... ..	—	1	1	1
36	D226W	Wire only, " ... ..	1	—	—	—

SEE SPECIMEN ORDER IN PREFACE



REF. No.	PART No.	DESCRIPTION	3T	5T	T100	6T
1	D224C	Casing only, throttle ... ..	—	1	1	1
2	D226C	Casing only, " ... ..	1	—	—	—
3	H670	Guide tube, twist grip ... ..	1	1	1	1
4	D101	Ferrule, throttle casing ... ..	2	3	3	3
5	D83	Nipple, " (handlebar end) ... ..	1	1	1	1
6	NS191	Nipple, " ... ..	1	1	1	1
7	D104	Cable, adjuster assembly ... ..	—	1	1	1
8	XA69	Clip for cables ... ..	8	8	8	8

### AIR CABLE

9	D225	Cable assembly, air ... ..	1	1	1	1
10	D225W	Wire only, air ... ..	1	1	1	1
11	D225C	Casing only, air ... ..	1	1	1	1
12	D101	Ferrule, air casing ... ..	2	2	2	2
13	D83	Nipple, handlebar end ... ..	1	1	1	1
14	NS191	Nipple, carburettor end ... ..	1	1	1	1

### REAR BRAKE CONTROL GROUP

15	F1153	Pedal, rear brake ... ..	1	1	1	1
16	F995	Rubber, " " pedal ... ..	1	1	1	1
17	F1149	Screw, " " stop ... ..	1	1	1	1
18	F879	Nut, " " " " screw ... ..	1	1	1	1
19	F867	Spindle, " " " " ... ..	1	1	1	1
20	D548	Nut, brake pedal spindle to frame ... ..	1	1	1	1
21	SCZ45	Washer, " " " " " " ... ..	1	1	1	1
22	S1-51	Nut, " " " " " " pedal end ... ..	1	1	1	1
23	S25-2	Washer, brake pedal spindle to frame pedal end plain ... ..	1	1	1	1
24	S26-16	Washer, brake pedal spindle to frame spring ... ..	1	1	1	1
25	F1015	Rod, brake operating, assembly ... ..	1	—	—	—
26	F1015A	Rod, " " " " ... ..	—	1	1	1
27	F1015B	Rod, " " " " (spring wheel) ... ..	—	1	1	1
28	F1015C	Rod, " " " " " " ... ..	1	—	—	—
29	WF32	Pin, brake rod fork end pivot ... ..	1	1	1	1
		Split pin, $\frac{1}{16}$ " $\times$ $\frac{1}{2}$ " ... ..	1	1	1	1
30	W11	Pin, brake rod to cam lever hinge ... ..	1	1	1	1
31	NS372	Nut, brake rod adjusting ... ..	1	1	1	1

### FOOTREST GROUP

32	F1731	Footrest O.S. ... ..	1	1	1	1
33	F987	Footrest N.S. ... ..	1	1	1	1
34	NF704	Rubber, footrest ... ..	2	2	2	2
35	F1736	Tube, footrest support O.S. ... ..	1	1	1	1

ALWAYS QUOTE PART NUMBER

REF. No.	PART No.	DESCRIPTION	3T	5T	T100	6T
1	F991	Rod, footrest ... ..	—	1	1	1
2	F1092	Rod, .. ..	1	—	—	—
3	DS48	Nut, .. rod ... ..	2	2	2	2
4	S25-8	Washer, .. .. O.S. (plain)	1	1	1	1
5	F1081	Tube, distance, footrest rod ... ..	1	—	—	—
6	F862	Tube, .. ..	—	1	1	1

### PILLION FOOTREST

7	F2312	Footrest assembly, pillion ... ..	2	2	2	2
8	F1694	Pedal, footrest ... ..	2	2	2	2
9	F1695	Rubber, .. pedal ... ..	2	2	2	2
10	F2271	Bolt, .. .. pivot ... ..	2	2	2	2
11	S1-51	Nut, .. .. bolt ... ..	2	2	2	2
12	F2277	Washer, .. ..	2	2	2	2
13	F2268	Hanger, .. .. N.S. ... ..	2	2	2	2
14	F1696	Stud, .. .. hanger ... ..	2	2	2	2
15	PO172A	Nut, .. .. stud ... ..	2	2	2	2
16	S26-1	Washer, .. ..	2	2	2	2

### SADDLE GROUP

17	F1729T	Saddle, complete ... ..	—	1	1	1
18	F1897	Saddle, .. ..	1	—	—	—
19	F1729A	Cover, saddle seat ... ..	—	1	1	1
20	F1897A	Cover, .. ..	1	—	—	—
21	F2835	Spring, .. main coil ... ..	2	2	2	2
22	F1729F	Spring, saddle seat 7 $\frac{1}{2}$ " ... ..		As required		
23	F1729G	Spring, .. .. 7 $\frac{1}{2}$ " ... ..		"	"	
24	F1729H	Spring, .. .. 7" ... ..		"	"	
25	F1729I	Spring, .. .. 6 $\frac{3}{4}$ " ... ..		"	"	
26	F1729J	Spring, .. .. 6 $\frac{1}{2}$ " ... ..		"	"	
27	F1729K	Spring, .. .. (Front) ... ..		"	"	
28	F1897K	Spring, .. .. ( " ) ... ..		"	"	3T only
29	F847	Stud, .. spring to frame ... ..	2	2	2	2
30	W76	Nut, .. .. stud ... ..	8	8	8	8
31	S25-2	Washer, .. ..	6	6	6	6
32	NA64J	Bolt and nut, saddle nose ... ..	1	1	1	1

State Terry or Lycett when ordering saddle parts

**DO NOT FORGET TO SIGN YOUR ORDER**

## PROP STAND GROUP

(for frame less fitted pivot lug)

REF. No.	PART No.	DESCRIPTION	3T	5T	T100	6T
1	F2612	Prop stand, complete ... ..	—	1	1	1
2	F2611	Prop stand, „ ... ..	1	—	—	—
3	F2606	Lug, pivot ... ..	—	1	1	1
4	F2604	Lug, „ ... ..	1	—	—	—
5	F2607	Pin, swivel ... ..	1	1	1	1
6	F2608	Peg, spring anchorage ... ..	1	1	1	1
7	F2603	Bolt, lug clamp ... ..	2	1	1	1
8	F2605	Bolt, „ „ ... ..	—	1	1	1
9	F2913	Leg, prop stand ... ..	1	1	1	1
10	F2610	Spring, leg tension ... ..	1	1	1	1

(for frame with fitted pivot lug)

11	F3095	Leg, prop stand ... ..	—	1	1	1
12	F3094	Leg, „ „ ... ..	1	—	—	—
13	F3096	Washer, prop stand lock ... ..	1	1	1	1
14	F3097	Pin, swivel ... ..	1	1	1	1
15	F2610	Spring, tension ... ..	1	1	1	1

## SIDECAR ATTACHMENTS GROUP

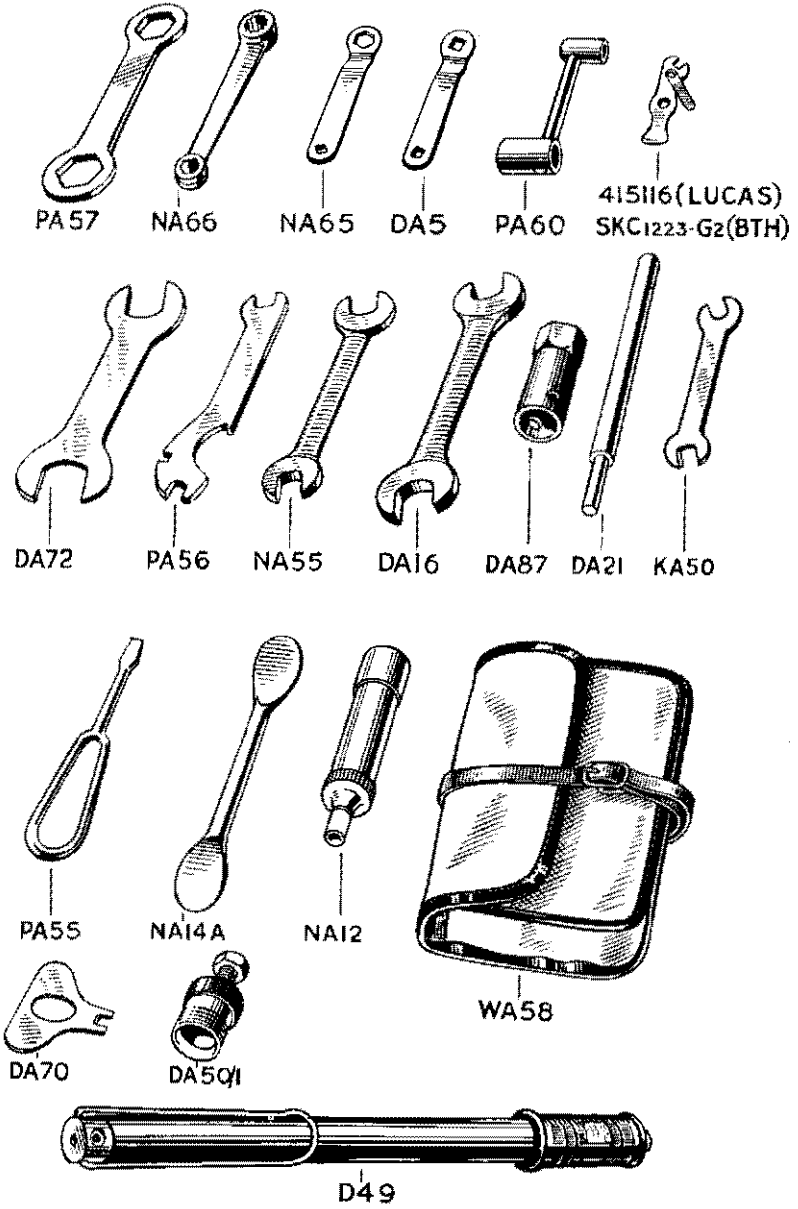
16	F2587	Lug, bottom front connection ... ..	—	1	1	1
17	F1746	Nut, „ „ „ sleeve ... ..	—	2	2	2
18	F2600	Bolt, „ „ „ ... ..	—	1	1	1
19	F1747	Nut, „ „ „ bolt ... ..	—	1	1	1
20	F2601	Lug, rear connection ... ..	—	1	1	1
21	F1743	Stud, „ „ „ ... ..	—	2	2	2
22	SI-S	Nut, „ „ „ stud ... ..	—	2	2	2
23	KF365	Washer, rear connection stud ... ..	—	2	2	2

## REAR CARRIER GROUP

24	F2278CTE	Carrier, complete with fittings ... ..	—	1	1	1
25	F2856	Bridge, carrier ... ..	—	2	2	2
26	F2857	Plate, „ backing ... ..	—	2	2	2
27	D557	Bolt, „ „ „ „ „ ... ..	—	8	8	8
28	E1612	Washer, „ „ „ „ „ ... ..	—	8	8	8
29	F879	Nut, „ „ „ „ „ ... ..	—	8	8	8

STATE COLOUR WHEN ORDERING

# TOOL KIT



## PILLION SEAT GROUP

REF. No.	PART No.	DESCRIPTION	3T	5T	T100	6T
1	NF761	Seat, pillion, complete	1	1	1	1
2	S23-42	Bolt, " seat fixing	4	4	4	4
3	S4-9	Nut, " " bolt	4	4	4	4
4	S25-1	Washer, " " " "	4	4	4	4

## TOOL BOX GROUP

5	F1692A	Tool box, complete	1	1	1	1
6	F1735	Ring, sealing	1	1	1	1
7	Z1	Fastener assembly	1	1	1	1
8	F1700	Clip, toolbox to frame	2	1	1	1
9	F1699	Clip, " " "	—	1	1	1
10	DS57	Bolt, " " " clip	2	2	2	2
11	F879	Nut, " " " " bolt	2	2	2	2
12	S26-2	Washer, " " " " "	2	2	2	2

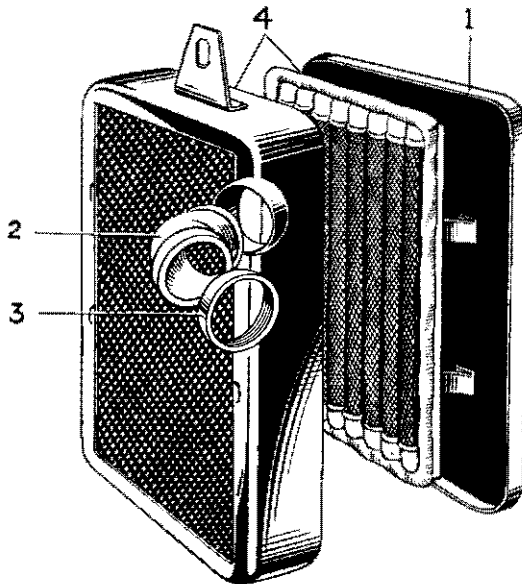
## TOOL KIT GROUP

13	DA71	Tool kit, complete	—	1	1	1
14	D209	Tool kit " "	1	—	—	—
15	DA72	Spanner .920" × 1.010" open	1	1	1	1
16	KA50	Spanner .375" × .338" "	1	1	1	1
17	NA55	Spanner .600" × .525" "	1	1	1	1
18	DA16	Spanner .820" × .712" "	1	1	1	1
19	NA66	Spanner .600" × .448" closed	1	1	1	1
20	PA57	Spanner .919" × 1.011" "	1	1	1	1
21	PA60	Spanner box complete	1	1	1	1
22	DA5	Spanner rocker adjusting screw	1	1	1	1
23	NA65	Spanner .448" hex. × .218" sq.	—	1	1	1
24	PA56	Spanner combination	1	1	1	1
25	DA87	Spanner, sparking plug	1	1	1	1
26	SKC1223-G2	Spanner, magneto contact (B.T.H.)	1	1	1	1
27	415116	Spanner, " " (Lucas)	1	1	1	1
28	DA21	Bar, tommy	1	1	1	1
29	DA70	Key, clutch adjusting	1	1	1	1
30	DA50-1	Extractor, clutch centre	1	1	1	1
31	NA12	Gun, grease	1	1	1	1
32	NA14A	Lever, tyre	1	1	1	1
33	PA55	Screwdriver	1	1	1	1
34	WA58	Roll, tool	1	1	1	1
35	D49	Inflator, tyre	1	1	1	1
36	D220	Spanner, fork cap nut (not included in tool kit)	1	1	1	1
37	167	Extractor, chain rivet (not included in tool kit)	1	1	1	1

**ALWAYS QUOTE PART NUMBER**

## AIR FILTER GROUP

REF. No.	PART No.	DESCRIPTION	3T	5T	T100	6T
1	V29206	Filter, air ... ..				
2	V29671	Element, filter cover and ... ..				
3	F2874	Sleeve, carburetter to filter ... ..		—	—	—
4	F2875	Sleeve, " " " " ... ..	—			
5	F2873	Connection, sleeve to filter ... ..	—	—		
6	F2872	Connection, " " " " rubber ... ..			—	—



### INDEX FOR AIR FILTER

Illust. No.	Part No.	Page	Ref.	Illust. No.	Part No.	Page	Ref.
1	V.29671	78	2	3	F.2874	78	3
2	F.2872	78	6		F.2875	78	4
	F.2873	78	5	4	V.29206	78	1

**ENGINE NUMBER IS IMPRESSED ON DRIVING SIDE OF CRANKCASE**

## SPEEDOMETER GROUP

REF. No.	PART No.	DESCRIPTION	3T	5T	T100	6T
1	S467 19	Speedometer head 120 m.p.h. (with r.p.m. scale) ... ..	—	1	1	—
2	S467 43	Speedometer head 120 m.p.h. (with r.p.m. scale) ... ..	—	—	—	1
3	S467 17	Speedometer head 80 m.p.h. (with r.p.m. scale) ... ..	1	—	—	—
4	S467 23	Speedometer head 180 k.p.h. (with r.p.m. scale) ... ..	—	1	1	—
5	S467 47	Speedometer head 180 k.p.h. (less r.p.m. scale) ... ..	—	—	—	1
6	S467 21	Speedometer head 140 k.p.h. (with r.p.m. scale) ... ..	1	—	—	—
7	P53279 1	Bulb holder, c/w bulb ... ..	1	1	1	1
8	P52305	Bulb only ... ..	1	1	1	1
9	P22469	Rubber ring, speedometer head ... ..	1	1	1	1
10	2S578 2	Clamp-bar " " ... ..	1	1	1	1
11	N1253	Nut, clamp-bar ... ..	2	2	2	2
12	D245	Cable, speedometer drive (44" long) ... ..	—	1	1	1
13	D246	Cable, " " (42½" long) ... ..	1	—	—	—
14	F3098	Clip, " " cable ... ..	1	1	1	1

### SPEEDOMETER DRIVE AT GEARBOX

15	T924	Pinion (10T), standard ratio layshaft ... ..	1	1	1	1
16	T973	Pinion (8T), wide ratio layshaft ... ..	1	1	1	1
17	T925	Peg, layshaft pinion ... ..	1	1	1	1
18	T934	Gear (16T), standard ratio driven ... ..	1	1	1	1
19	T975	Gear (15T), wide ratio driven ... ..	1	1	1	1
20	T825	Washer, gear thrust ... ..	1	1	1	1
21	T933	Bush, gear ... ..	1	1	1	1
22	T948	Washer, gear oil sealing (rubber) ... ..	1	1	1	1

## SPARKING PLUG GROUP

23	F80*	Plug, sparking (K.L.G.) ... ..	—	—	2	—
24	H14*	Plug, " (Lodge) ... ..	—	2	—	—
25	L105	Plug, " (Champion) ... ..	2	—	—	—
26	L115	Plug, " (Champion) ... ..	—	—	—	2
27	D105	Cover, " plug ... ..	2	2	2	2

\* Also supplied for 6T

**APPLY TO ACCESSORY MANUFACTURERS FOR SERVICE UNITS**

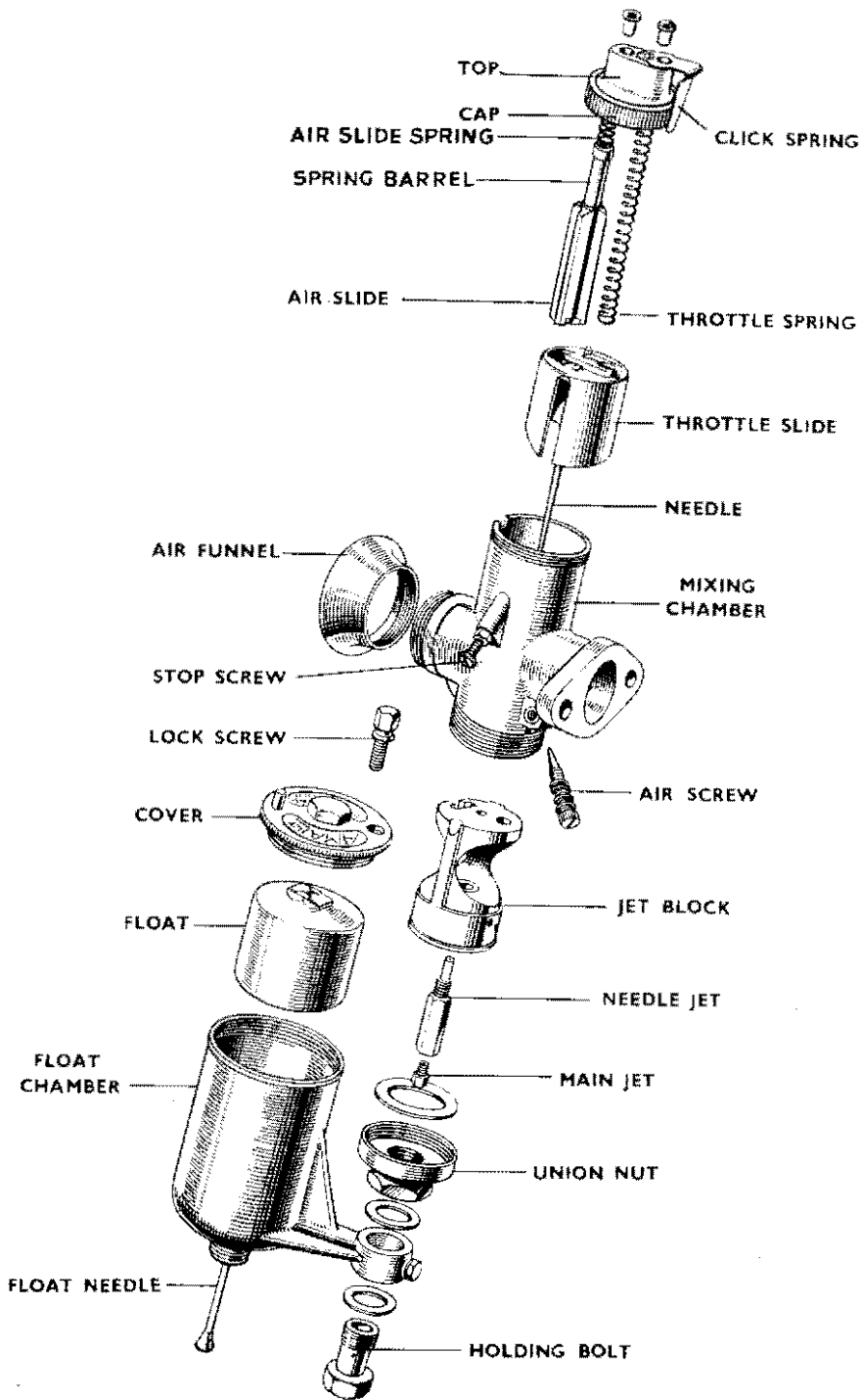
## CARBURETTER GROUP

REF. No.	PART No.	DESCRIPTION	3T	5T	T100	6T
1	276DK:IAT	Carburetter assembly ... ..	—	1	—	—
2	276DL:IAT	" " " " " " " " " " " "	—	—	1	—
3	275AQ:IA	" " " " " " " " " " " "	1	—	—	—
4	276AE:IAT	" " " " " " " " " " " "	—	—	—	1
5	276:410R	Chamber, mixing ... ..	—	1	—	—
6	276:411R	" " " " " " " " " " " "	—	—	1	1
7	275:145R	" " " " " " " " " " " "	—	1	—	—
8	6:403	Top mixing chamber ... ..	—	1	1	1
9	4:032A	" " " " " " " " " " " "	1	✓	—	—
10	6:031	Cap, " " " " " " " " " " " "	—	1	1	1
11	4:031	Cap, " " " " " " " " " " " "	1	✓	—	—
12	6:062	Nut, " " " " " " " " " " " "	—	1	1	1
13	4:062	Nut, " " " " " " " " " " " "	1	✓	—	—
14	4:276	Spring, " " " " cap ... ..	—	1	—	—
15	4:235	Spring, " " " " " " " " " " " "	1	—	—	—
16	4:241	Screw, " " " " spring ... ..	1	1	1	1
17	6:045	Valve, air ... ..	—	1	1	1
18	5:045	Valve, " " " " " " " " " " " "	1	✓	—	—
19	4:046	Spring, air valve ... ..	1	✓	1	1
20	6:047	Guide, " " " " " " " " " " " "	—	1	1	1
21	5:047	" " " " " " " " " " " "	1	✓	—	—
22	6:052	Valve, throttle 6/3½ ... ..	—	1	1	1
23	5:052	" " " " 5/4 ... ..	1	✓	—	—
24	4:263	Spring, " " valve ... ..	1	✓	1	1
25	4:063	Screw, " " " " adjusting ... ..	1	✓	1	1
26	16:010	Nut, throttle valve adjusting ... ..	1	✓	—	—
27	13:129	Screw, air adjusting ... ..	1	✓	1	1
28	4:148	Spring, " " " " screw ... ..	1	✓	1	1
29	4:042	Jet, main No. 140 ... ..	—	1	—	—
30	†4:042	" " " " No. 150 ... ..	—	—	1	—
31	4:042	" " " " No. 120 ... ..	1	✓	—	—
32	†4:042	" " " " No. 170 ... ..	—	—	—	1
33	206:057R	Block, jet ... ..	—	—	1	—
34	206:058R	" " " " " " " " " " " "	—	—	1	1
35	205:058R	" " " " " " " " " " " "	1	✓	—	—
36	6:040	Washer, jet block ... ..	—	1	1	1
37	4:040	" " " " " " " " " " " "	1	—	—	—
38	4:061	Jet, needle No. 107 ... ..	—	1	—	—
39	6:065	Needle, jet No. 6 ... ..	1	✓	1	1
40	5:065	" " " " No. 5 ... ..	1	✓	—	—
41	4:230	Clip, " " needle ... ..	1	✓	1	1
42	4:043	Bolt, holding ... ..	1	1	1	1
43	4:053	Washer, holding bolt ... ..	2	2	2	2
44	4:035	Adjuster, throttle cable ... ..	1	✓	—	—
45	IAT	Chamber, float (complete) ... ..	—	1	—	1
46	IA	" " " " " " " " " " " "	1	—	—	—

†For maximum power use 160 main jet (T100), 190 main jet (6T),  
and disconnect air filter.

**DO NOT FORGET TO SIGN YOUR ORDER**





AMAL CARBURETTER PARTS

REF. No.	PART No.	DESCRIPTION	3T	5T	T100	6T
1	64 192	Body, float chamber ... ..	—	1	1	1
2	64 156	" " " " " " " " " " " "	1	—	—	—
3	14 208	Cover, " " " " " " " " " " " "	1	1	1	1
4	14 021	Lock screw, float cover ... ..	1	1	1	1
5	14 015	Float ... ..	1	1	1	1
6	14 024	Needle, valve ... ..	1	1	1	1
7	14 209	Tickler ... ..	1	1	1	1
8	14 210	Stop, tickler ... ..	1	1	1	1
9	14 032	Spring, " " " " " " " " " " " "	1	1	1	1
10	14 289	Cotter, " " " " " " " " " " " "	1	1	1	1
11	13 153	Screw, platform plug ... ..	1	1	1	1
12	14 039	Washer, platform plug screw ... ..	1	1	1	1
13	14 178	Locknut, seating ... ..	1	1	1	1
14	14 175	Washer, seating locknut ... ..	1	1	1	1
15	14 042	Nut, petrol union ... ..	1	1	1	1
16	14 026	Nipple, petrol union ... ..	1	1	1	1
17	NA43	Washer, carburetter flange ... ..	—	1	—	—
18	NA48	" " " " " " " " " " " "	1	—	—	—
19	NA43A	" " " " " " " " " " " "	—	—	0	1

## MAGNETO (B.T.H.) GROUP

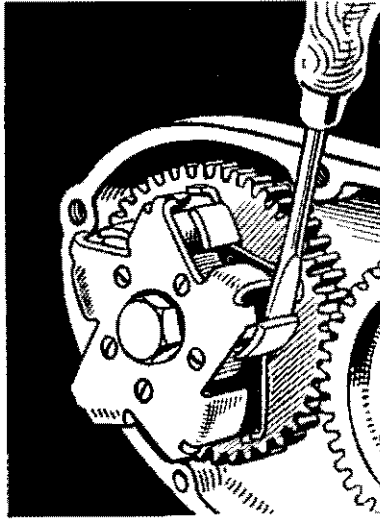
20	D152	Magneto, less auto advance ... ..	1	1	1	1
21	SKC10917-1	Housing, magneto main ... ..	1	1	1	1
22	SKC741-G1	Ball race ... ..	2	2	2	2
23	SKC6123-1	Insulation washer, ball race ... ..	2	2	2	2
24	CR22186-1	Shim, bearing adjusting .002" and .003"	1	1	1	1
25	CZ108979	Seal, oil retaining ... ..	1	1	1	1
26	CR23042-1	Magnet ... ..	1	1	1	1
27	SKC6245-1	Screw, magnet locating ... ..	2	2	2	2
28	SKC24291-1	Cover, magnet ... ..	1	1	1	1
29	3BA $\frac{5}{16}$ " rd. hd.	Screw, magnet cover fixing ... ..	2	2	2	2
30	SKC9952-8	Washer, magnet cover fixing ... ..	2	2	2	2
31	CR23290-1	Screw, safety gap ... ..	1	1	1	1
32	SKC6799-1	Tab, safety gap screw locking ... ..	1	1	1	1
33	SKC87159-G1	Holder, collector brush ... ..	2	2	2	2
34	SKC6306-G2	Collector brush and spring ... ..	2	2	2	2
35	CR87404-1	Washer, collector holder sealing ... ..	2	2	2	2
36	CR87160-1	Nut, collector holder ring ... ..	2	2	2	2
37	CZ60707-G19	Cable, H.T. ... ..	2	2	2	2
38	SKC6397-1	Screw, H.T. cable securing ... ..	2	2	2	2
39	E2415	Clip, H.T. cable ... ..	1	1	1	1
40	CR87403-1	Ferrule, collector holder rubber ... ..	2	2	2	2
41	CY50495-G1	Armature c/w condenser and end plate	1	1	1	1
42	SKC6115-1	Screw, armature end plate to core ... ..	4	4	4	4
43	SKC6111-1	Dowel, " " " " " " " " " " " "	1	1	1	1

SEE SPECIMEN ORDER IN PREFACE

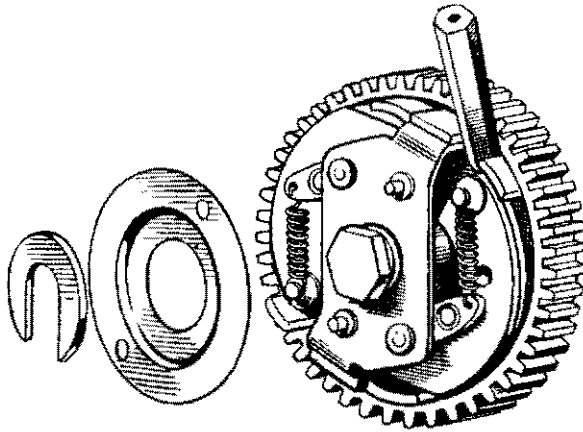
REF. No.	PART No.	DESCRIPTION	3T	5T	T100	6T
1	SKC6114-1	Screw, armature end plate securing	4	4	4	4
2	SKC6112-1	Dowel, " " " locating	1	1	1	1
3	CX52078-G3	Condenser, assembly	1	1	1	1
4	SKC6636-1	Insulation condenser (large)	2	2	2	2
5	SKC6637-1	" " (small)	2	2	2	2
6	4BAx $\frac{1}{8}$ " ch.hd.	Screw, condenser securing	2	2	2	2
7	SKC9952-6	Washer, condenser screws	2	2	2	2
8	CR20776-1	Bush, condenser insulating	1	1	1	1
9	SKC6612-G1	Slip ring	1	1	1	1
10	SKC6122-1	Washer, slip ring, plain	1	1	1	1
11	SKC6180-1	Washer, slip ring, spring	1	1	1	1
12	CR20774-1	Ring, reinforcing	1	1	1	1
13	CX1883-G24	Contact breaker, L.H. complete	1	1	1	1
14	SKC74955-G2	Base and check spring assembly, contact breaker	1	1	1	1
15	CZ63472-G2	Lever contact and springs	1	1	1	1
16	SKC6215-1	Spring, contact breaker run forcing	2	2	2	2
17	SKC6208-1	Screw, contact breaker spring	2	2	2	2
18	CR29708-1	Wick, contact breaker lever	1	1	1	1
19	SKC29303-G1	Contact, adjustable screw	1	1	1	1
20	SKC6216-1	Nut, adjustable screw contact	1	1	1	1
21	SKC9952-8	Washer, adjustable screw contact	1	1	1	1
22	SKC6235-1	Block, contact screw locating	1	1	1	1
23	SKC6213-1	Strip, insulating block	1	1	1	1
24	SKC6209-1	Screw, block securing	1	1	1	1
25	SKC6210-1	Bush, screw insulating	1	1	1	1
26	SKC6212-1	Bush, block centre	1	1	1	1
27	SKC6219-G1	Brush and spring contact breaker earthing	1	1	1	1
28	SKC6214-1	Spring, contact breaker main	1	1	1	1
29	CR29487-1	Screw, contact breaker securing	1	1	1	1
30	CZ61580-1	Cover complete, contact breaker	1	1	1	1
31	SKC28537	Cover only, contact breaker	1	1	1	1
32	CR89533-1	Bush, contact breaker, cover insulating	1	1	1	1
33	CR29456-1	Strip, " " " "	1	1	1	1
34	CR29455-1	Strip, " " " contact	1	1	1	1
35	CR29459-1	Terminal, " " " "	1	1	1	1
36	4BA Strd.	Washer, " " terminal, plain	3	3	3	3
37	SKC9952-6	Washer, " " " spring	2	2	2	2
38	CR26513	Nut, " " " lock	1	1	1	1
39	CR89927-1	Nut, " " " knurled	1	1	1	1
40	SKC88939-6	Washer, " " " nut	1	1	1	1
41	CR28540-1	Washer, " " cover sealing	1	1	1	1
42	CR28571-1	Screw, " " " securing	3	3	3	3
43	SKC9952-6	Washer, " " " screw	3	3	3	3
44	SKC33650	Cam, ring	1	1	1	1
45	SKC6344-1	Wick, cam lubricating	1	1	1	1
46	5KC28544-G3	Housing, cam ring	1	1	1	1
47	2BAx $\frac{1}{2}$ " inst.hd.	Screw, cam ring housing	4	4	4	4
48	SKC88939-20	Washer, " " " lock	4	4	4	4
49	CR26381-1	Screw, timing stop	1	1	1	1

**WHEN IN DOUBT SEND SAMPLE**

## AUTOMATIC ADVANCE CONTROL



B.T.H.

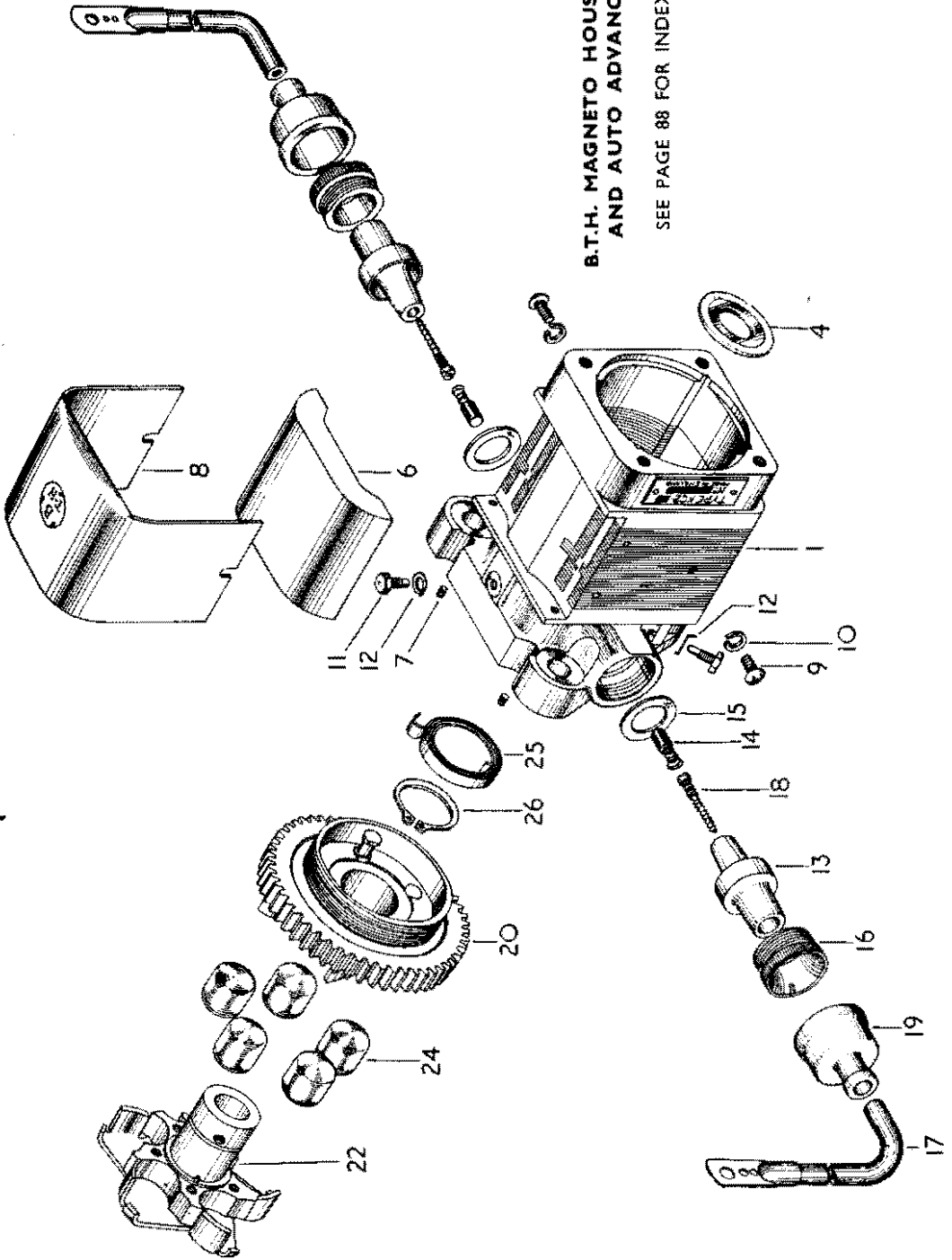


Lucas.

Illustrations showing the two types in use and the method of securing the mechanism in the fully advanced position for timing purposes.

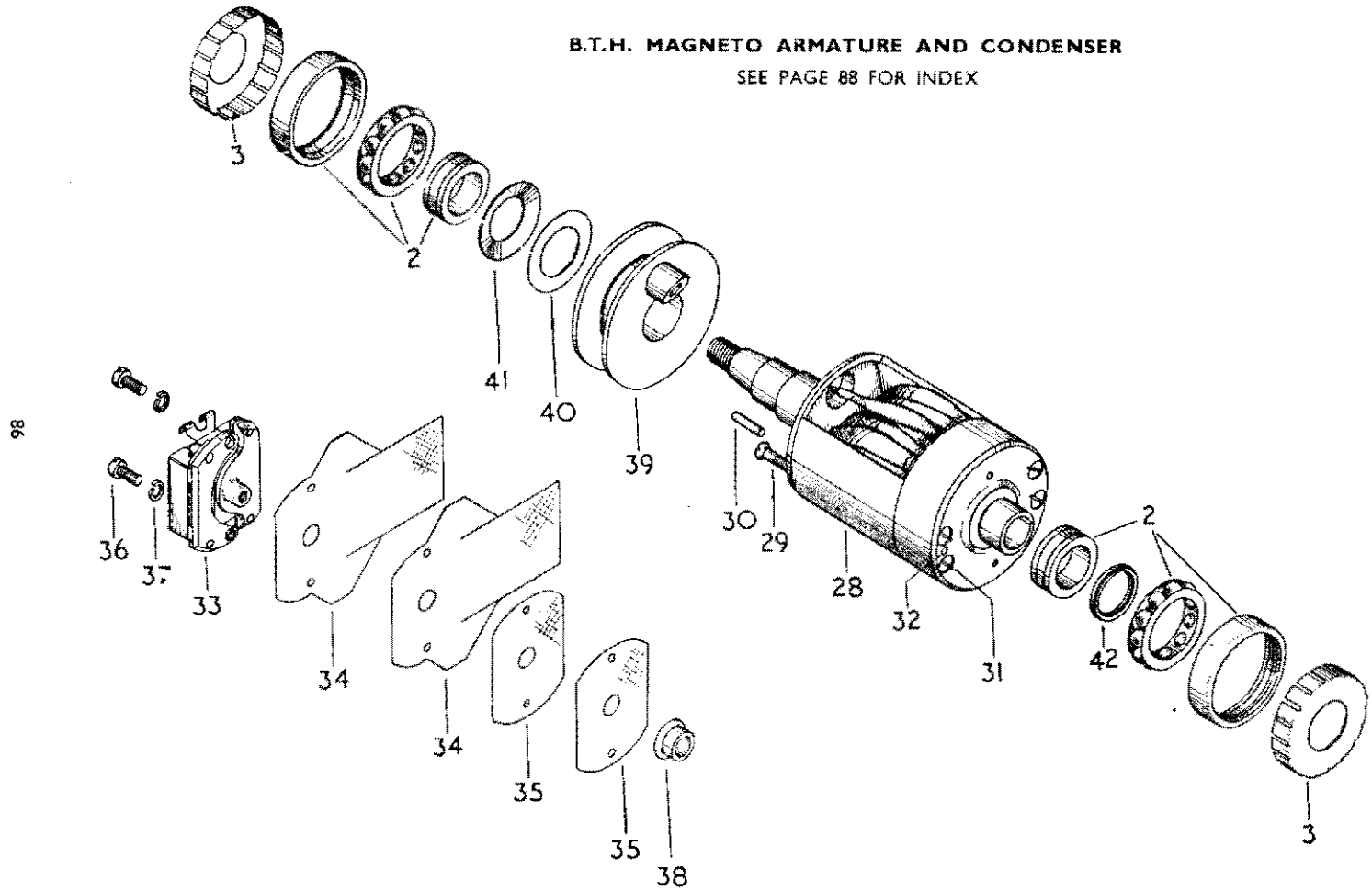
**B.T.H. MAGNETO HOUSING  
AND AUTO ADVANCE**

SEE PAGE 88 FOR INDEX



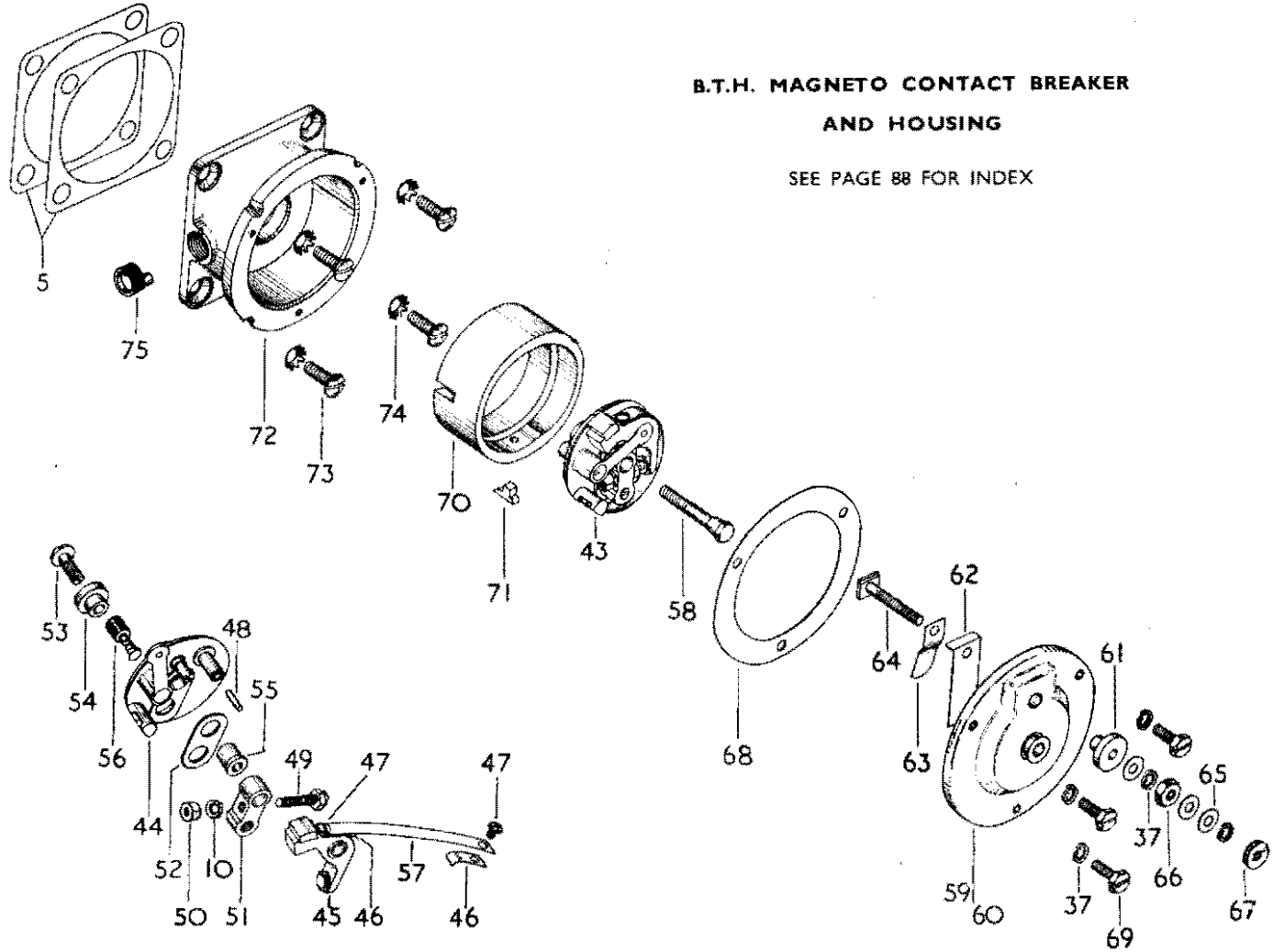
# B.T.H. MAGNETO ARMATURE AND CONDENSER

SEE PAGE 88 FOR INDEX



B.T.H. MAGNETO CONTACT BREAKER  
AND HOUSING

SEE PAGE 88 FOR INDEX



REF. No.	PART No.	DESCRIPTION	3T	5T	T100	6T
1	SKC35711-G2	Gear, auto advance ... ..	1	1	1	1
2	CZ108934	Hub, assembly auto advance ... ..	1	1	1	1
3	CR35706-1	Roller, auto advance ... ..	5	5	5	5
4	CR35707-1	Spring, .. .. main ... ..	1	1	1	1
5	CR35709-1	Circlip, .. .. " ... ..	1	1	1	1
6	CR35705-1	Nut, .. .. securing ... ..	1	1	1	1

**INDEX TO ILLUSTRATIONS ON PAGES 85, 86 AND 87**

Illust. No.	Part No.	Page	Ref.	Illust. No.	Part No.	Page	Ref.
1	SKC.10917-1	82	21	40	SKC.6122-1	83	10
2	SKC.741-G1	82	22	41	SKC.6180-1	83	11
3	SKC.6123-1	82	23	42	CR.20774-1	83	12
4	CZ.108979	82	25	43	CX.1883-G24	83	13
5	CR.22186-1	82	24	44	SKC.74955-G2	83	14
6	CR.23042-1	82	26	45	CZ.63472-G2	83	15
7	SKC.6245-1	82	27	46	SKC.6215-1	83	16
8	SKC.24291-1	82	28	47	SKC.6208-1	83	17
9	3 8A x $\frac{3}{16}$ " rd. hd.	82	29	48	CR.29708-1	83	18
10	SKC.9952-8	82	30	49	SKC.29303-G1	83	19
11	CR.23290-1	82	31	50	SKC.6216-1	83	20
12	SKC.6799-1	82	32	51	SKC.6235-1	83	22
13	SKC.87159-G1	82	33	52	SKC.6213-1	83	23
14	SKC.6306-G2	82	34	53	SKC.6209-1	83	24
15	CR.87404-1	82	35	54	SKC.6210-1	83	25
16	CR.87160-1	82	36	55	SKC.6212-1	83	26
17	CZ.60707-G19	82	37	56	SKC.6219-G1	83	27
18	SKC.6397-1	82	38	57	SKC.6214-1	83	28
19	CR.87403-1	82	40	58	CR.29487-1	83	29
20	SKC.35711-G2	88	1	59	CZ.61580-1	83	30
22	CZ.108934	88	2	60	SKC.28537	83	31
24	CR.35706-1	88	3	61	CR.89533-1	83	32
25	CR.35707-1	88	4	62	CR.29456-1	83	33
26	CR.35709-1	88	5	63	CR.29455-1	83	34
28	CY.50495-G1	82	41	64	CR.29459-1	83	35
29	SKC.6115-1	82	42	65	4 BA Std.	83	36
30	SKC.6111-1	82	43	66	CR.26513	83	38
31	SKC.6114-1	83	1	67	CR.89927-1	83	39
32	SKC.6112-1	83	2	68	CR.28540-1	83	41
33	CX.52078-G3	83	3	69	CR.28571-1	83	42
34	SKC.6636-1	83	4	70	SKC.33650	83	44
35	SKC.6637-1	83	5	71	SKC.6344-1	83	45
36	4 BA x $\frac{3}{16}$ " ch. hd.	83	6	72	SKC.28544-G3	83	46
37	SKC.9952-6	83	7	73	2 8A x $\frac{1}{2}$ " hd.	83	47
38	CR.20776-1	83	8	74	SKC.88939-20	83	48
39	SKC.6612-G1	83	9	75	CR.26381-1	83	49

**FOR IDENTIFICATION OF PARTS SEE PAGE 10 FOR INSTRUCTIONS**



# LUCAS ELECTRICAL EQUIPMENT GROUP

REF. No.	PART No.	DESCRIPTION	3T	ST	T100	6T
<b>DYNAMO (TYPE E3L LI-O)</b>						
1	20009A	Dynamo, complete ... ..	1	1	1	1
2	200712	Armature, Assembly ... ..	1	1	1	1
3	2000738	Commutator c/w bush ... ..	1	1	1	1
4	189120	Bush, commutator end ... ..	1	1	1	1
5	200718	Cover, " " ... ..	1	1	1	1
6	200761	Bracket assembly, driving end ... ..	1	1	1	1
7	189307	Ball race, driving end ... ..	1	1	1	1
8	200641	Seal, end plate with oil ... ..	1	1	1	1
9	200609	Band assembly, cover ... ..	1	1	1	1
10	188818	Nipple, cable fixing ... ..	2	2	2	2
11	200212	Plate, clamp ... ..	1	1	1	1
12	115850	Screw, " plate fixing ... ..	1	1	1	1
13	200732	Bolt, through fixing ... ..	2	2	2	2
14	165078	Nut, " " bolt ... ..	2	2	2	2
15	188330	Washer, " " " ... ..	2	2	2	2
16	200737	Brush set ... ..	1	1	1	1
17	200197	Spring set, brush ... ..	1	1	1	1
18	189386	Key, woodruff ... ..	1	1	1	1
19	E2451	Pinion, dynamo ... ..	1	1	1	1
20	111700	Screw, " pinion ... ..	1	1	1	1
21	188378	Washer, " " screw ... ..	1	1	1	1
22	E2228	Nut (dome), dynamo to gearcase ... ..	1	1	1	1
23	E2414	Stud, dynamo fixing ... ..	1	1	1	1
24	E2226	Washer, " to crankcase joint ... ..	1	1	1	1
25	E2230	Strap, " fixing ... ..	1	1	1	1
26	460025	Swivel, " strap ... ..	2	2	2	2
27	112450	Screw, " " ... ..	2	2	2	2
<b>CUT-OUT AND REGULATOR UNIT MCR2-L</b>						
28	37097B	Regulator, complete ... ..	1	1	1	1
29	391454	Cover, cut out ... ..	1	1	1	1
30	391453	Clip, cover spring ... ..	1	1	1	1
31	D557	Bolt, unit to rear stays ... ..	2	2	2	2
32	F879	Nut, for D557 ... ..	2	2	2	2
33	E1612	Washer for F879 ... ..	2	2	2	2
<b>HEADLAMP (MF 42)</b>						
34	50777B	Headlamp ... ..	1	1	1	1
35	516298	Ring, lamp fixing ... ..	1	1	1	1
36	H689	Screw, fixing ring to nacelle ... ..	3	3	3	3
37	H690	Nut, fixing ring to nacelle ... ..	3	3	3	3
38	509487	Rim only ... ..	1	1	1	1
39	550875	Glass ... ..	1	1	1	1
40	553147	Reflector assembly ... ..	1	1	1	1
41	553065	Bead, rubber joint ... ..	1	1	1	1
42	500291	Wire, glass fixing ... ..	4	4	4	4
43	509936	Catch assembly, rim ... ..	1	1	1	1
44	504801	Holder assembly, main bulb ... ..	1	1	1	1

**APPLY TO ACCESSORY MANUFACTURERS FOR SERVICE UNITS**

REF. No.	PART No.	DESCRIPTION	3T	5T	T100	6T
1	551807	Clip and screw, bulb holder ... ..	1	1	1	1
2	552258	Screw, bulb holder clip ... ..	1	1	1	1
3	500181	Interior, pilot bulb ... ..	1	1	1	1
4	188156	Nipple, cable fixing ... ..	1	1	1	1
5	200	Bulb, pilot ... ..	1	1	1	1
6	169	Bulb, main ... ..	1	1	1	1

#### TAIL LAMP

7	53009A	Tail lamp MT110 ... ..	1	1	1	1
8	526111	Base assembly, less bulb ... ..	1	1	1	1
9	526112	Body assembly, with glass ... ..	1	1	1	1
10	200	Bulb ... ..	1	1	1	1
11	571395	Connector ... ..	1	1	1	1
12	104460	Screw, tail lamp ... ..	3	3	2	2
13	165334	Nut, tail lamp screw ... ..	3	3	3	3

#### COMBINED STOP AND TAIL LAMP

14	53122B	Stop and Tail lamp, combined ... ..	1	1	1	1
15	526302	Cover, lamp and cable rubber ... ..	1	1	1	1
16	190	Bulb, tail lamp ... ..	1	1	1	1
17	16543	Screw, fixing ... ..	3	3	3	3
		Nut, " screw ... ..	3	3	3	3
18	315725	Switch, stop ... ..	1	1	1	1
19	H687	Screw, " switch to chainguard ... ..	2	2	2	2
20	GS299	Washer, " " " " screw ... ..	2	2	2	2
21	F3158	Spring, " " operating ... ..	1	1	1	1
22	T988	Clip, spring to brake rod ... ..	1	1	1	1
23	H687	Screw, clip to brake rod ... ..	1	1	1	1
24	GS299	Washer, " " " " screw ... ..	1	1	1	1
25	H745	Nut, " " " " & switch screws ... ..	2	2	2	2

#### CABLE HARNESS

26	993921E	Harness, cable complete ... ..	1	1	1	1
27	993928	Harness, headlamp to main ... ..	1	1	1	1
28	993922	Harness, headlamp dipper and main switch... ..	1	1	1	1

#### NACELLE INSTRUMENT PANEL

29	351584A	Switch, lighting ... ..	1	1	1	1
30	351567	Lever, switch, with screw ... ..	1	1	1	1
31	36129A	Ammeter ... ..	1	1	1	1
32	31071A	Button, cut-out ... ..	1	1	1	1

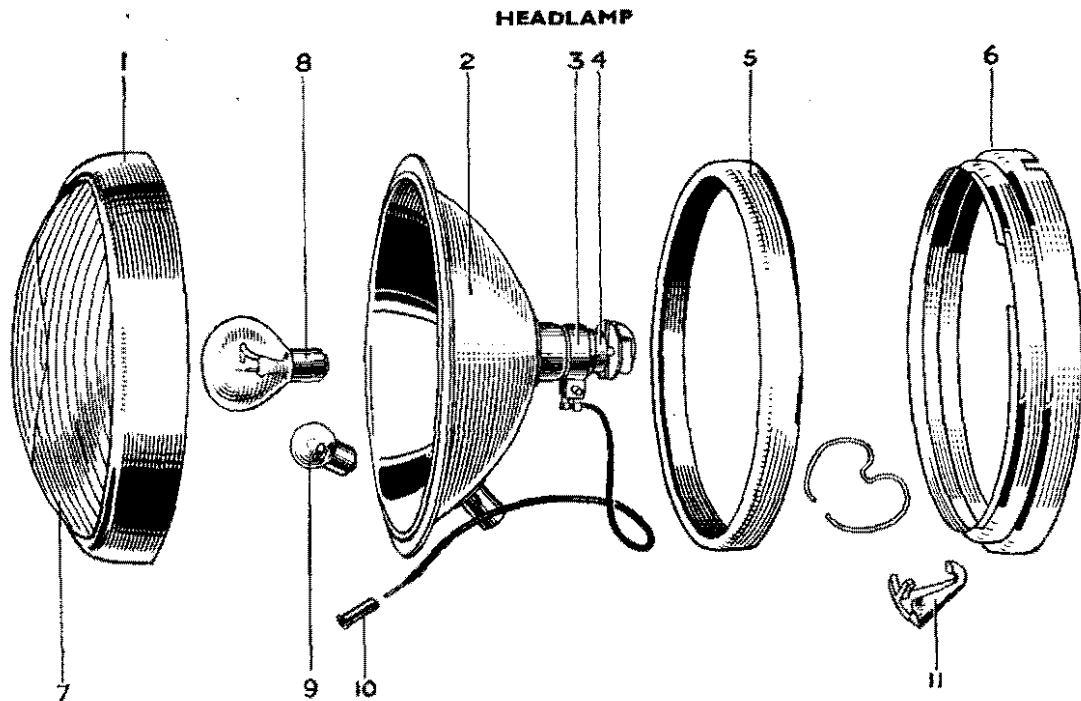
#### DIMMER SWITCH

33	380056	Switch, dimmer ... ..	1	1	1	1
34	H689	Screw, switch to clamp ... ..	2	2	2	2

#### BATTERY

35	FUW7E,4	Battery, 6 volt (dry) ... ..	1	1	1	1
36	S2263,4	Plug vent, c w washer ... ..	3	3	3	3

SEE SPECIMEN ORDER IN PREFACE

**INDEX**

Illust. No.	Part No.	Page	Ref.	Illust. No.	Part No.	Page	Ref.
1	509,487	89	38	7	550,875	89	39
2	553,147	89	40	8	169	90	6
3	551,807	90	1	9	200	90	5
4	504,801	89	44	10	188,156	90	4
5	553,065	89	41	11	509,936	89	43
6	516,298	89	35				

REF. No.	PART No.	DESCRIPTION	3T	5T	T100	6T
<b>HORN</b>						
1	70048B	Horn, Altette, HF1441 ... ..	1	1	1	1
2	701851	Bracket, horn ... ..	1	1	1	1
3	76200A	Push, horn button ... ..	1	1	1	1

### MAGNETO (LUCAS TYPE K2 F-R O)

4	42111B	Magneto c/w auto advance ... ..	1	1	1	1
5	458333	Armature assembly ... ..	1	1	1	1
6	455361	Slip ring ... ..	1	1	1	1
7	189291	Bearing (C.B.E. and D.E.) ... ..	2	2	2	2
8	458339	Condenser assembly ... ..	1	1	1	1
9	458619	Cover, contact breaker ... ..	1	1	1	1
10	470534	Contact breaker assembly ... ..	1	1	1	1
11	122160	Screw, contact breaker fixing ... ..	1	1	1	1
12	470609	Contact breaker set ... ..	1	1	1	1
13	470688	Spring set ... ..	1	1	1	1
14	470537	Brush and spring, C.B. earth ... ..	1	1	1	1
15	458613	Spring pillar, C.B. cover securing ... ..	1	1	1	1
16	100020	Screw, C.B. end plate fixing ... ..	1	1	1	1
17	185037	Washer, " " " " ... ..	1	1	1	1
18	458355	Washer, " " " shim ... ..	1	1	1	1
19	458356	Washer, " " " " ... ..	1	1	1	1
20	458389	Cam assembly ... ..	1	1	1	1
21	458633	End plate assembly ... ..	1	1	1	1
22	465129	Cup, bearing, insulating ... ..	2	2	2	2
23	455191	Brush, spring and holder (magneto earth) ... ..	1	1	1	1
24	455190	Brush and spring ... ..	1	1	1	1
25	458370	Spring pin, pick up fixing ... ..	2	2	2	2
26	458375	Seal, rubber oil ... ..	1	1	1	1
27	458644	Pick up with brush and spring (LH) ... ..	1	1	1	1
28	458643	Pick up with brush and spring (RH) ... ..	1	1	1	1
29	451260	Brush and spring, pick up ... ..	2	2	2	2
30	47502A	Auto advance unit ... ..	1	1	1	1
31	498157	Spring, auto advance ... ..	2	2	2	2
32	415116	Spanner and point gauge ... ..	1	1	1	1
33	E2415	Clip, H.T. lead ... ..	1	1	1	1

**WHEN IN DOUBT SEND SAMPLE**

## GASKET SETS

Including all necessary gaskets for decarbonising, with the exception of the cylinder head gasket which is supplied separate if required.

GS350T/48	...	Gasket set for 3T
GS5T/50	...	" " " 5T
G5T100/50	...	" " " T100
G56T/50	...	" " " 6T

## GEAR RATIOS

Engine Sprocket	STANDARD RATIO				WIDE RATIO			
	Top	3rd	2nd	1st	Top	3rd	2nd	1st
17	6.46	7.70	10.94	15.8	6.46	9.22	14.30	18.85
18	6.10	7.28	10.32	14.9	6.10	8.70	13.50	17.80
19	5.80	6.90	9.80	14.15	5.80	8.25	12.80	16.85
20	5.50	6.55	9.30	13.40	5.50	7.84	12.18	16.00
21	5.24	6.24	8.85	12.80	5.24	7.46	11.58	15.25
22	5.00	5.95	8.45	12.20	5.00	7.13	11.05	14.55
23	4.78	5.69	8.09	11.69	4.78	6.82	10.60	13.90
24	4.57	5.45	7.75	11.20	4.57	6.54	10.14	13.35
25	4.40	5.24	7.45	10.75	4.40	6.26	9.73	12.80
Gearbox Reduction	1.00	1.19	1.69	2.44	1.00	1.425	2.21	2.915

Engine Sprocket	CLOSE RATIO			
	Top	3rd	2nd	1st
17	6.46	7.06	8.42	11.00
18	6.10	6.66	7.95	10.40
19	5.80	6.32	7.54	9.84
20	5.50	6.00	7.15	9.35
21	5.24	5.72	6.81	8.90
22	5.00	5.45	6.50	8.50
23	4.78	5.23	6.23	8.12
24	4.57	5.00	5.96	7.78
25	4.40	4.80	5.73	7.46
Gearbox Reduction	1.00	1.090	1.300	1.695

### PARTS REQUIRED TO CONVERT

FROM STANDARD TO WIDE RATIO	FROM WIDE TO STANDARD RATIO
T969 ... Mainshaft High Gear	T918 ... Mainshaft High Gear
T968 ... " 2nd "	T916 ... " 2nd "
T971 ... Layshaft High "	T921 ... Layshaft High "
T974 ... " 2nd "	T925 ... " 2nd "

# GUARANTEE

**W**E give the following guarantee with our motor cycles, motor cycle combinations and sidecars including all accessories and component parts other than tyres, saddles, chains and lighting and electrical equipment, and other than accessories and component parts supplied to the order of the Purchaser and differing from those comprised in the standard specifications supplied with our motor cycles, motor cycle combinations and sidecars, but including accessories and parts supplied by way of exchange as hereinafter provided. This guarantee is given in place of any implied conditions or warranties or any liabilities whatsoever statutory or otherwise; no guarantee except that hereinafter contained and no conditions or warranty whatsoever statutory or otherwise is given or is to be implied, nor are we to be under any liability whatsoever except under the guarantee hereinafter contained. Any statement, description, condition or representation contained in any catalogue, advertisement, leaflet or other publication shall not be construed as enlarging, varying or overriding anything herein contained. In the case of machines (a) which have been used for "hiring out" purposes or (b) any motor cycle and/or sidecar used for any dirt tracks, cinder track or grass track racing or competitions (or any competition of any kind within an enclosure for which a charge is made for admission to take part in or view the competition) or (c) machines from which the trade mark, name or manufacturing number has been altered or removed or (d) any machines in which parts have been used not supplied by or approved by the motor cycle manufacturer, or (e) any machine from which the silencing system as fitted by the manufacturer has been partially or wholly removed or interfered with, no guarantee, condition or warranty of any kind statutory or otherwise is given or is to be implied nor are we to be under any liability whatsoever in respect of any such machine.

We guarantee, subject to the conditions mentioned below, that all precautions which are usual and reasonable have been taken by us to secure excellence of materials and workmanship, but this guarantee is to extend and be in force for six months only from date of purchase, or date of exchange in case of any accessory or part supplied by way of exchange as hereinafter provided, and damages for which we make ourselves responsible under this guarantee are limited to the free repair of or supply of a new part or accessory in exchange for the part of the motor cycle, motor cycle combination or side car or accessory which may have proved defective. We undertake, subject to the conditions mentioned below, to make good in manner aforesaid any part or accessory covered by this guarantee which has proved defective within the said period of six months. We do not undertake to replace or refix, or bear the cost of replacing or refixing any such new part or accessory in the motor cycle, motor cycle combination or sidecar. As motor cycles, motor cycle combinations and sidecars are easily liable to derangement by neglect or misuse, this guarantee does not apply to defects caused by wear and tear, misuse or neglect.

The term "misuse" shall include amongst others the following acts:—

1. The attaching of a sidecar to a motor cycle in such a manner as to cause damage or calculated to render the latter unsafe when ridden.
2. The use of a motor cycle or of a motor cycle and sidecar combined, when carrying more persons or a greater weight than that for which the machine was designed by the manufacturers.
3. The attaching of a sidecar to a motor cycle by any form of attachment not provided, supplied, or approved by the manufacturers, or to a motor-cycle which is not designed for such use.

We do not guarantee tyres, saddles, chains or lighting and electrical equipment, or any accessories or component parts supplied to the order of the Purchaser differing from those comprised in the standard specifications supplied with our motor cycles, motor cycle combinations or sidecars. As regards all such tyres, saddles, chains, lighting and electrical equipment, accessories and component parts, no guarantee, condition or warranty of any kind statutory or otherwise is given or is to be implied, and we are to be under no liability whatsoever in respect thereof.

## CONDITIONS OF GUARANTEE

If a defective part or accessory should be found in our motor cycles, motor cycle combinations or sidecars, or in any part or accessory supplied by way of exchange as before provided, it must be sent to us CARRIAGE PAID, and accompanied by an intimation from the owner that he desires to have it repaired or exchanged free of charge under our guarantee and he must also furnish us at the same time with the frame number of the machine, the date of purchase or the date when the alleged defective part or accessory was exchanged as the case may be.

Failing compliance with the above, such articles will lie here at THE RISK OF THE OWNER, and this guarantee and any implied guarantee, warranty or condition shall not be enforceable.

## REPAIRS

Any motor cycle, motor cycle combination or sidecar sent to us to be plated, enamelled or repaired will be repaired upon the following conditions, i.e., we guarantee that all precautions which are usual and reasonable have been taken by us to secure excellence of materials and workmanship, such guarantee to extend and be in force for three months only from the time such work shall have been executed, and this guarantee is in lieu and in exclusion of all conditions and warranties statutory or otherwise and all liabilities whatsoever and the damages recoverable are limited to the cost of any further work which may be necessary to amend and make good the work found to be defective.

## NOTICE

We do not appoint agents for the sale on our behalf of our motor cycles or other goods, but we assign to motor cycle Dealers areas in which we supply to such Dealers exclusively for re-sale in such areas. No such Dealer is authorised to transact any business, give any warranty, make any representation or incur any liability on our behalf. All goods are offered for sale subject to the price ruling at time of delivery. We reserve the right to modify or deviate from the published specification.

Supplement to 1950 Triumph Spare Parts Catalogue

**REAR SPRING WHEEL GROUP  
MARK II**

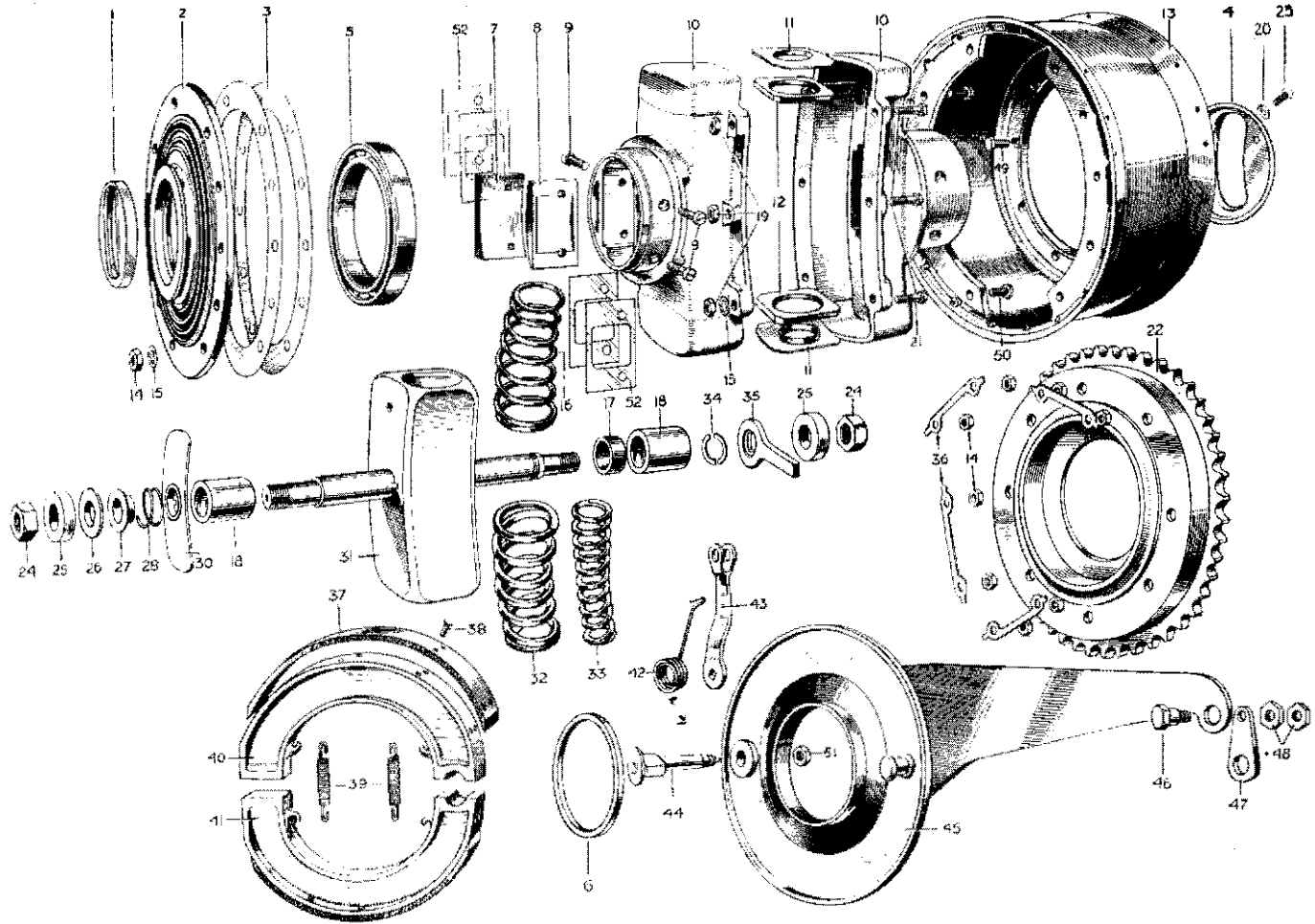
Commencing Frame No. 7439

REF. No.	PART No.	DESCRIPTION	3T	5T	T100	6T
1	W.925	Wheel complete ... ..	—	1	1	1
2	W.923	Wheel complete ... ..	1	—	—	—
3	W.928	Wheel, less internals ... ..	1	1	1	1
4	W.643	Rim ... ..	1	1	1	1
5	W.644	Spoke ... ..	40	40	40	40
6	S79-2	Nipples, spoke ... ..	40	40	40	40
7	W.905	Hub, shell assembly ... ..	1	1	1	1
8	W.903	Drum, sprocket and brake ... ..	1	1	1	1

**INDEX TO ILLUSTRATION ON PAGE 97**

Illust. No.	Part No.	Page	Ref.	Illust. No.	Part No.	Page	Ref.
1	W.879 W.849	98	38	29			
2	W.909	98	6	30	W.898	98	39
3	W.744	98	7	31	W.895	98	22
4	W.901	98	35	32	W.836	98	26
5	W.897	98	4	33	W.837	98	25
6	W.904	98	5	34	W.634	98	31
7	W.886	98	14	35	W.639	98	30
8	W.885	98	13	36	W.642	98	2
9	W.638	98	17	37	W.631	99	5
10	W.906.7	98	12	38	W.129	99	6
11	W.664A	98	29	39	W.135	99	7
12	W.658A	98	28	40	W.912	99	4
13	W.905	96	7	41	W.911	99	3
14	F.879	98	3	42	W.123	99	11
15	E.2312	98	9	43	W.74A	99	9
16	W.890	98	27	44	W.915	99	8
17	W.766	98	24	45	W.920	99	1
18	W.908	98	23		W.921	99	2
19	S.1-40	98	21	46	W.784	99	14
20	G5.299	98	37	47	W.855	99	12
21	E.1562	98	18		W.626	99	13
22	W.903	96	8	48	W.630	99	15
23	H.687	98	36	49	W.641	98	1
24	W.635	98	34	50	W.640	98	8
25	W.633	98	33	51	S.1-52	99	10
26	W.798	98	32	52	W.866	98	15
27	W.900	98	41		W.867	98	16
28	W.799	98	40				





TRIUMPH SPRING WHEEL MARK II

REF. No.	PART No.	DESCRIPTION	3T	5T	T100	6T
1	W641	Bolt, brake drum ... ..	8	8	8	8
2	W642	Lockplate, brake drum bolt ... ..	4	4	4	4
3	F879	Nut, brake drum bolt ... ..	8	8	8	8
4	W897	Bearing, wheel ... ..	2	2	2	2
5	W904	Spacer ring, N.S. bearing ... ..	1	1	1	1
6	W909	End plate, hub shell ... ..	1	1	1	1
7	W744	Shim, end plate ... ..	9	9	9	9
8	W640	Bolt, end plate to hub shell ... ..	10	10	10	10
9	E2312	Washer, end plate to hub shell bolt ... ..	10	10	10	10
10	F879	Nut, end plate to hub shell bolt ... ..	10	10	10	10
11	W931	Plunger guide box assembly ... ..	1	1	1	1
12	W906.7	Box, plunger guide ... ..	1	1	1	1
13	W885	Pad, front slipper (Convex) ... ..	2	2	2	2
14	W886	Pad, rear slipper (Concave) ... ..	2	2	2	2
15	W866	Shim, slipper pad .002" thick ... ..		As required		
16	W867	Shim, slipper pad .003" thick ... ..		As required		
17	W638	Screw, slipper pad ... ..	8	8	8	8
18	E1562	Bolt, plunger guide box (Top Rear) ... .. (Bottom Front)	2	2	2	2
19	W932	Bolt, plunger guide box ... ..	4	4	4	4
20	E2312	Washer, plunger guide box bolt ... ..	6	6	6	6
21	SI-40	Nut, plunger guide box bolt ... ..	6	6	6	6
22	W895	Axle and guide assembly ... ..	1	1	1	1
23	W908	Roller, slipper ... ..	2	2	2	2
24	W766	Sleeve, slipper roller distance, N.S. ... ..	1	1	1	1
25	W837	Spring, inner main ... ..	1	1	1	1
26	W836	Spring, outer main ... ..	1	1	1	1
27	W890	Spring, rebound ... ..	1	1	1	1
28	W658a	Buffer, plunger ... ..	2	2	2	2
29	W664a	Locator plate, spring ... ..	2	2	2	2
30	W639	Lever, axle shaft anchorage ... ..	1	1	1	1
31	W634	Circlip, axle shaft split ... ..	2	2	2	2
32	W798	Collar, axle shaft distance, O.S. ... ..	1	1	1	1
33	W633	Collar, axle shaft outer ... ..	2	2	2	2
34	W635	Nut, axle shaft ... ..	2	2	2	2
35	W901	Cover, dust excluder, N.S. ... ..	1	1	1	1
36	H687	Screw, dust excluder, N.S. cover ... ..	2	2	2	2
37	GS299	Washer, dust excluder cover ... ..	2	2	2	2
38	W849 (275)	Cover, dust excluder, O.S. ... ..	1	1	1	1
39	W898	Plate, dust excluder ... ..	2	2	2	2
40	W799	Spring, dust excluder plate ... ..	2	2	2	2
41	W900	Sleeve, dust excluder plate centre ... ..	2	2	2	2

REF. No.	PART No.	DESCRIPTION	3T	5T	T100	6T
<b>SPRING WHEEL BRAKE</b>						
1	W920	Plate, brake anchor ... ..	1	—	—	—
2	W921	Plate, brake anchor ... ..	—	1	1	1
3	W911	Shoe, c/w lining, trailing brake ... ..	1	1	1	1
4	W912	Shoe c/w lining, leading brake ... ..	1	1	1	1
5	W631	Lining, brake shoe ... ..	2	2	2	2
6	W129	Rivet, brake shoe lining ... ..	16	16	16	16
7	W135	Spring, brake shoe return ... ..	2	2	2	2
8	W915	Cam, brake operating ... ..	1	1	1	1
9	W74a	Lever, brake operating cam ... ..	1	1	1	1
10	SI-52	Nut, brake operating cam ... ..	1	1	1	1
11	W123	Spring, brake operating cam return ... ..	1	1	1	1
12	W855	Link, brake anchorage ... ..	1	—	—	—
13	W626	Link, brake anchorage ... ..	—	1	1	1
14	W784	Bolt, brake anchorage bolt ... ..	1	1	1	1
15	W630	Nut, brake anchorage bolt ... ..	2	2	2	2
16	W743	Nut, brake pedal spindle ... ..	1	1	1	1
17	3/32" × 1"	Split pin, brake pedal spindle nut ... ..	1	1	1	1
18	FI015c	Rod, brake operating ... ..	1	—	—	—
19	FI015d	Rod, brake operating ... ..	—	1	1	1
20	DI06	Bolt, tyre security ... ..	1	1	1	1

### TWIN SEAT GROUP

21	F3153	Twinseat complete with all attachments ... ..	—	1	1	1
22	F3122	Bracket, twinseat centre ... ..	—	1	1	1
23	F879	Nut, twinseat centre bracket ... ..	—	2	2	2
24	E1612	Washer, twinseat centre bracket ... ..	—	2	2	2
25	FI760	Bolt, centre bracket to seat lug ... ..	—	2	2	2
26	W76	Nut, centre bracket to seat lug ... ..	—	2	2	2
27	S25-2	Washer, centre bracket to seat lug ... ..	—	2	2	2
28	E2593	Bolt, nose bracket ... ..	—	1	1	1
29	SI-51	Nut, nose bracket ... ..	—	1	1	1
30	E2287	Washer, nose bracket ... ..	—	1	1	1
31	DS58	Bolt, rear bracket to mudguard ... ..	—	2	2	2
32	SI-51	Nut, rear bracket to mudguard ... ..	—	2	2	2
33	S25-3	Washer, rear bracket to mudguard (plain) ... ..	—	4	4	4
34	E2287	Washer, rear bracket to mudguard (serrate) ... ..	—	2	2	2

## PROPRIETARY FITTINGS

Ancillary equipment which is fitted to our motor cycles is of the highest quality and is guaranteed by the manufacturers and not by ourselves. Any repairs or claims should be made to the actual maker who will always give owners every possible assistance. The following are the addresses of the various manufacturers :—

<b>CARBURETTERS</b>	Messrs. Amal Ltd., Holford Works, Perry Barr, Birmingham, 20.
<b>CHAINS</b>	The Renold and Coventry Chain Co. Ltd., Didsbury, Manchester.
<b>ELECTRICAL EQUIPMENT</b>	Messrs. J. Lucas, Ltd., Gt. Hampton Street, Birmingham, 18.
<b>MAGNETOS</b>	Messrs. J. Lucas, Ltd., Gt. Hampton Street, Birmingham, 18.  Messrs. British Thomson-Houston, Ltd., Alma Street, Coventry.
<b>SADDLES</b>	Messrs. Terrys Ltd., 210, Corporation Street, Birmingham.  Messrs. Lycett & Motor Accessories Co. Ltd., Birmingham, 3.
<b>SPARKING PLUGS</b>	K.L.G. Sparking Plugs, Putney Vale, London, S.W.15.  Messrs. Lodge Plugs Ltd., Rugby.  Champion Sparking Plug Co. Ltd., Feltham, Middlesex.
<b>SPEEDOMETERS</b>	Messrs. Smiths Motor Accessories Ltd., Cricklewood Works, London, S.W.2.

## TRIUMPH ENGINEERING CO. LTD.

Meriden Works, Allesley  
COVENTRY, ENGLAND